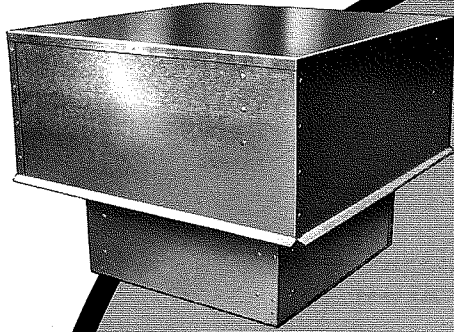
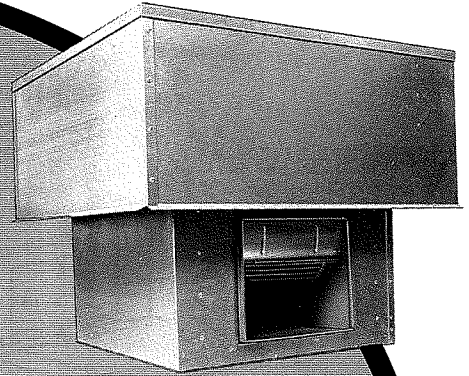




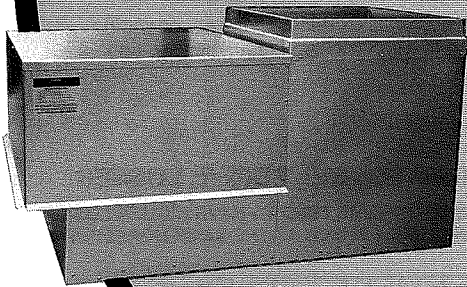
# ROOF SUPPLY UNITS FILTERED



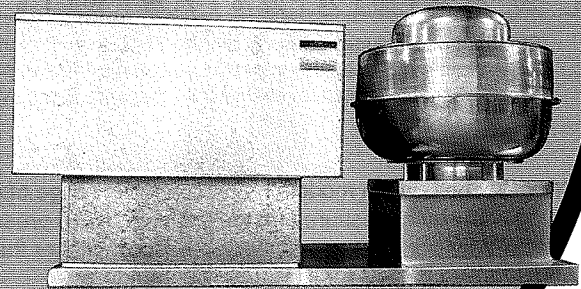
**KS FAN UNIT  
(DOWN DISCHARGE)**



**KS-SD FAN UNIT  
(SIDE DISCHARGE)**

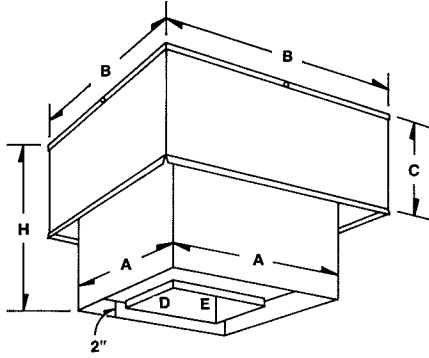


**MODEL DU  
DUAL FAN PACKAGE**

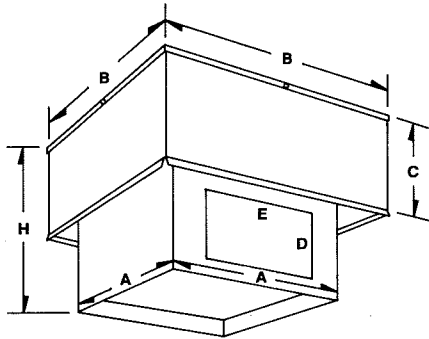
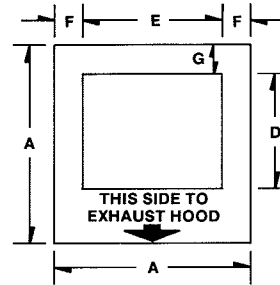


**MODEL DUL (LOW SILHOUETTE)  
DUAL FAN PACKAGE**

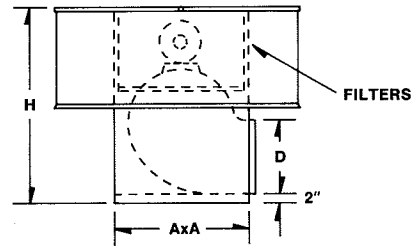
# DIMENSIONS — KS AND KS-SD BELT DRIVE FILTERED SUPPLY FANS



**Model  
KS**



**Model  
KS-SD**



## KS AND KS-SD DIMENSIONS

Model Number	Unit Dimensions (Inches)								Filters	Roof Curb O.D.		Wheels		Outlet Area	Wgt.
	A	B	C	D	E	F	G	H		Dia.	Width				
10	26	36	16	11.5	13	6.5	5	28.5	(4) 16 x 20	25 x 25	10%	10%	1.015	150	
12	32	42	20	13.5	16	8	5.25	32.5	(4) 20 x 25	31 x 31	12%	12%	1.440	220	
15	32	42	20	16	19	6.5	5.25	32.5	(4) 20 x 25	31 x 31	15	15	2.010	220	
18	36	46	22	19	22	7	5.25	38.25	(4) 20 x 28	35 x 35	18%	18	2.870	310	
20	46	60	24	22.75	24.75	10.5	6	48	(8) 20 x 20	45 x 45	20	18	3.880	540	

Standard unit includes 18 ga. galvanized housing with removable insulated cover retained with quick release latches, open drip NEMA frame ball bearing motor with adjustable V-drive mounted on rubber isolation; double width forward curved blower, and 1 inch washable aluminum filters. (All other type filters available.)

**CAPACITY:** Six belt driven models have a capacity range of 800 to 11,200 CFM with static pressures tested thru 4 in. static pressure. Contact factory for performance at static pressures higher than published herein. See page 3 for Performance Tables.

**CONSTRUCTION:** Heavy gauge weatherproof riveted galvanized housing with removable cover, easily removable filters, and a choice of down blast (KS) or horizontal (KS-SD) discharge.

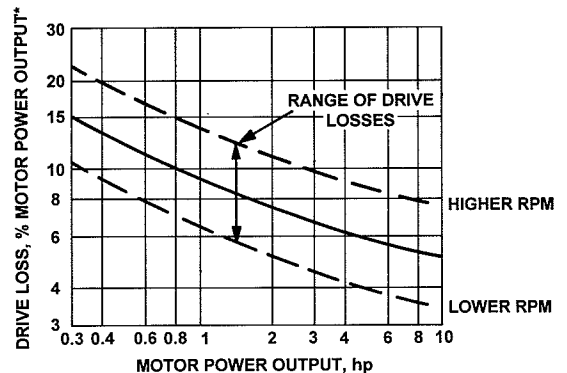
**BLOWER:** DWDI FC painted steel construction, two sealed ball bearings, and with blower outlet extended allowing for easy attachment of ductwork.

**DRIVE:** Cast iron pulleys and belt selected for 165% of motor horsepower. Motor pulley is adjustable. Motors 1 H.P. and less are factory mounted with drive.

**OPTIONS:** Hinged Cover - Locking Hasp - Aluminum Housing - Motorized Outlet Dampers - Special Filters - Painted Housing - Disconnect Switch.

## ESTIMATED BELT DRIVE LOSSES

**HIGHER BELT SPEEDS TEND TO HAVE HIGHER LOSSES THAN LOWER BELT SPEED AT THE SAME HORSEPOWER.**



\*Drive losses are based on the conventional V-belt which has been the "work horse" of the drive industry for several decades.

(Reprinted from AMCA Publication 203 with written permission from the Air Movement and Control Association, Inc.)

# KS PERFORMANCE TABLES

## CFM VERSUS STATIC PRESSURE

MODEL	CFM	.13 SP		.25 SP		.38 SP		.50 SP		.63 SP		.75 SP		1.00 SP		1.25 SP		1.50 SP	
		RPM	HP	RPM	HP	RPM	HP	RPM	HP	RPM	HP	RPM	HP	RPM	HP	RPM	HP	RPM	HP
KS-10 OR KS-SD-10	800	390	.039	520	.065														
	900	405	.049	526	.076														
	1000	424	.061	535	.090	638	.122												
	1200	468	.093	561	.124	652	.160	739	.199	820	.240	897	.284						
OUTLET VELOCITY =	1400	519	.137	597	.170	677	.208	755	.250	830	.295	901	.341	1035	.442				
	1600	573	.194	640	.230	709	.270	779	.314	848	.362	914	.412	1040	.518	1158	.633		
	1800	630	.267	688	.305	749	.347	811	.394	873	.445	934	.498	1052	.610	1163	.730	1269	.857
	2000	689	.358	739	.398	793	.442	848	.492	904	.544	960	.601	1070	.718	1175	.844	1276	.978
	CFM 1.02	2200			793	.510	841	.557	891	.608	941	.663	992	.723	1094	.846	1192	.978	1288
	2400			850	.644	892	.695	937	.747	983	.804	1029	.866	1123	.995	1215	1.132	1305	1.277
	2600			907	.802	946	.853	986	.908	1028	.968	1070	1.032	1157	1.166	1243	1.309	1327	1.459

MODEL	CFM	.13 SP		.25 SP		.38 SP		.50 SP		.63 SP		.75 SP		1.00 SP		1.25 SP		1.50 SP	
		RPM	HP	RPM	HP	RPM	HP	RPM	HP	RPM	HP	RPM	HP	RPM	HP	RPM	HP	RPM	HP
KS-12 OR KS-SD-12	1600	373	.115	452	.155	531	.203	605	.255	673	.310								
	1800	403	.154	470	.195	542	.245	611	.300	677	.359	738	.420						
	2000	436	.203	492	.244	556	.296	621	.354	683	.416	742	.481	852	.618				
	2200	470	.263	519	.304	575	.356	634	.416	692	.482	749	.550	854	.695	952	.848		
OUTLET VELOCITY =	2400	506	.334	548	.376	597	.428	650	.490	704	.557	758	.629	859	.781	954	.941	1043	1.109
	2600	542	.418	579	.461	622	.513	670	.575	720	.644	770	.718	867	.877	958	1.045	1045	1.220
	2800	578	.515	612	.559	650	.613	693	.675	738	.745	784	.820	876	.984	965	1.159	1049	1.342
	3000			646	.673	680	.727	718	.789	759	.859	802	.936	889	1.104	973	1.285	1055	1.476
	CFM 1.44	3200			681	.802	712	.857	746	.920	783	.990	822	1.068	903	1.239	984	1.425	1062
	3400			716	.949	744	1.004	776	1.068	809	1.138	845	1.216	920	1.389	997	1.580	1072	1.783
	3600			752	1.113	778	1.170	807	1.234	837	1.305	870	1.383	940	1.557	1012	1.751	1083	1.959

MODEL	CFM	.13 SP		.25 SP		.38 SP		.50 SP		.63 SP		.75 SP		1.00 SP		1.25 SP		1.50 SP	
		RPM	HP	RPM	HP	RPM	HP	RPM	HP	RPM	HP	RPM	HP	RPM	HP	RPM	HP	RPM	HP
KS-15 OR KS-SD-15	3000	413	.354	470	.435	523	.520	573	.609	621	.702	667	.800	754	1.005	834	1.223	909	1.452
	3200	433	.417	487	.503	538	.593	586	.686	632	.783	677	.884	760	1.097	839	1.323	912	1.559
	3400	454	.489	505	.580	553	.674	600	.771	644	.872	687	.977	768	1.197	844	1.431	916	1.675
	3600	474	.569	523	.665	570	.763	614	.865	657	.969	698	1.079	777	1.306	851	1.547	921	1.799
OUTLET VELOCITY =	3800	495	.658	542	.759	586	.862	629	.967	670	1.076	710	1.190	786	1.425	859	1.672	927	1.932
	4000	517	.756	561	.862	604	.969	645	1.080	685	1.193	723	1.310	797	1.553	867	1.808	934	2.075
	4200			580	.975	622	1.087	661	1.202	700	1.320	737	1.441	809	1.691	877	1.954	942	2.228
	4400			600	1.098	640	1.215	678	1.335	715	1.457	751	1.582	821	1.841	887	2.111	951	2.392
	CFM 2.01	4600			620	1.232	658	1.354	695	1.478	731	1.605	766	1.735	834	2.001	898	2.279	960
	4800			641	1.377	677	1.504	713	1.633	748	1.765	782	1.899	847	2.174	910	2.459	971	2.755
	5200			682	1.704	716	1.841	750	1.979	783	2.120	815	2.263	877	2.555	936	2.857	994	3.168

MODEL	CFM	.13 SP		.25 SP		.38 SP		.50 SP		.63 SP		.75 SP		1.00 SP		1.25 SP		1.50 SP	
		RPM	HP	RPM	HP	RPM	HP	RPM	HP	RPM	HP	RPM	HP	RPM	HP	RPM	HP	RPM	HP
KS-18 OR KS-SD-18	4600			472	.874	514	1.013	554	1.157	593	1.307	630	1.460	700	1.782	765	2.121	826	2.475
	4800			485	.968	526	1.112	565	1.261	602	1.415	638	1.572	707	1.903	771	2.251	831	2.613
	5000			499	1.069	538	1.218	576	1.372	612	1.530	647	1.692	714	2.031	777	2.388	837	2.759
	5200			512	1.178	551	1.332	587	1.490	623	1.653	657	1.820	722	2.168	784	2.532	843	2.912
OUTLET VELOCITY =	5400			526	1.294	563	1.453	599	1.617	633	1.785	667	1.956	731	2.312	791	2.685	849	3.074
	5600			540	1.419	576	1.583	611	1.752	644	1.924	677	2.100	740	2.465	799	2.847	856	3.244
	5800			554	1.552	589	1.721	623	1.895	656	2.072	688	2.253	749	2.627	807	3.017	863	3.423
	6000			568	1.694	602	1.868	635	2.047	667	2.229	699	2.415	758	2.798	815	3.197	870	3.611
	CFM 2.87	6200			583	1.844	616	2.025	648	2.208	679	2.395	710	2.586	768	2.978	824	3.386	878
	6400			597	2.004	630	2.190	661	2.379	691	2.571	721	2.766	778	3.168	833	3.584	886	4.015
	6800			627	2.354	657	2.550	687	2.749	716	2.952	757	3.368	811	3.798	862	4.241	894	4.233

MODEL	CFM	.13 SP		.25 SP		.38 SP		.50 SP		.63 SP		.75 SP		1.00 SP		1.25 SP		1.50 SP	
		RPM	HP	RPM	HP	RPM	HP	RPM	HP	RPM	HP	RPM	HP	RPM	HP	RPM	HP	RPM	HP
KS-20 OR KS-SD-20	6600	357	1.045	392	1.205	425	1.366	457	1.532	488	1.704	518	1.885	577	2.269	633	2.680	686	3.113
	7000	374	1.226	408	1.396	440	1.565	470	1.738	500	1.918	528	2.105	584	2.499	638	2.921	690	3.366
	7400	391	1.426	424	1.607	454	1.786	484	1.967	512	2.153	540	2.347	593	2.752	645	3.185	695	3.641
	7800			440	1.840	469	2.028	498	2.218	525	2.412	551	2.612	603	3.029	653	3.473	701	3.940
OUTLET VELOCITY =	8200			457	2.096	485	2.294	512	2.492	538	2.694	564	2.902	613	3.332	662	3.786	708	4.265
	8600			473	2.376	501	2.584	527	2.792	552	3.002	577	3.217	625	3.660	671	4.126	716	4.616
	9000			490	2.682	517	2.900	542	3.117	566	3.335	590	3.558	636	4.015	681	4.493	725	4.994
	9600			516	3.190	541	3.424	565	3.655	588	3.887	611	4.122	655	4.601	698	5.099	740	5.616
	CFM 3.88	10000			533	3.563	557	3.808	581	4.049	603	4.290	625	4.535	668	5.029	710	5.540	750
	10600			582	4.440	605	4.697	627	4.952	648	5.210	669	5.478	728	6.261	778	6.261	767	6.810
	11200			608	5.142	629	5.414	650	5.684	670	5.956	690	6.248	748	7.055	785	7.265		

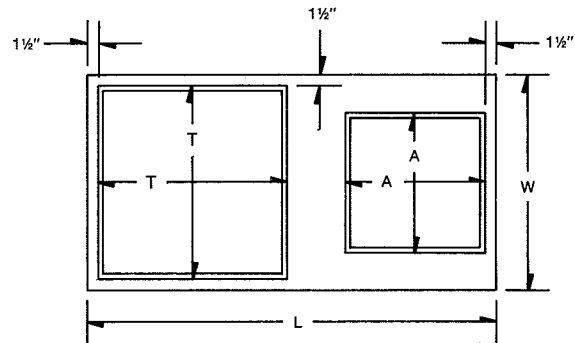
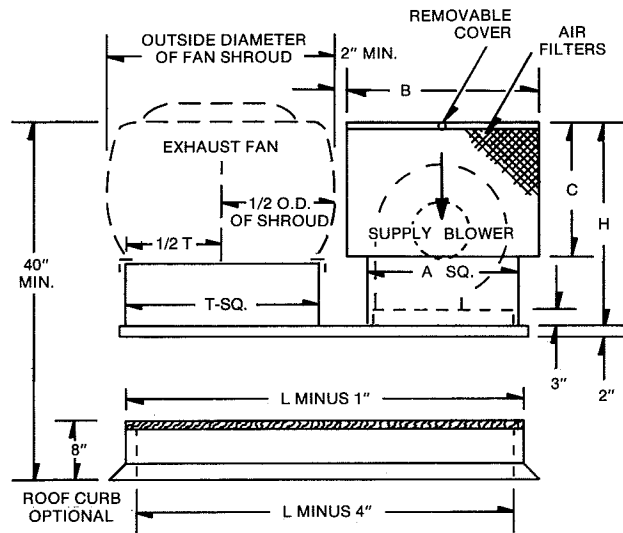
Power rating (BHP) does not include drive losses. See page 2 for Estimated Belt Drive Losses.  
 Performance shown is for installation type B - free inlet, ducted outlet.  
 Performance ratings include the effects of air filters in the airstream.

# DUAL FAN PACKAGE DUL (LOW SILHOUETTE)

Combination Kees Filtered KS Supply Fan as described and rated on page 2 along with any standard manufactured up-blast power roof fan. Both mounted on a one piece modular curb cap with optional roof curb. Discharge lip of exhaust fan maintained at 40 in. above roof to meet NFPA 96 requirements. Curb size adjusted to maintain not less than 2 in. between fans.

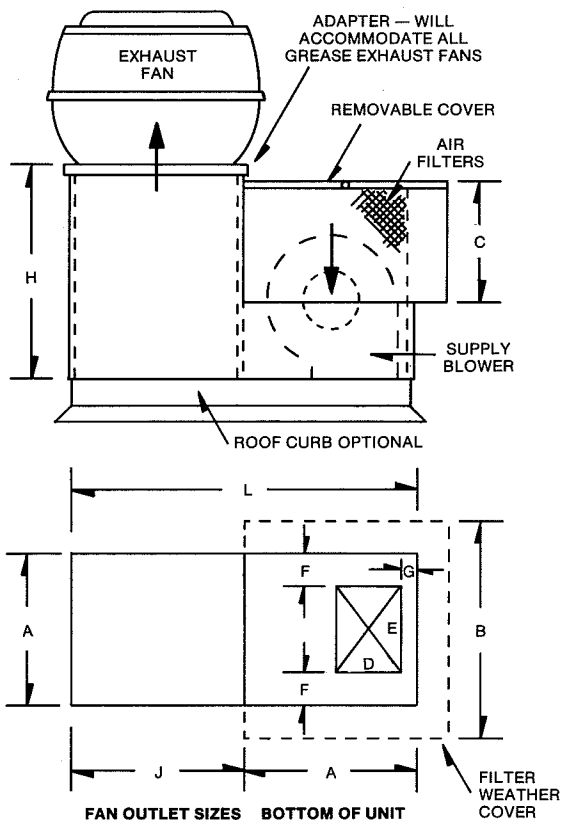
Optional motor control center mounted on exterior of KS fan housing consisting of NEMA 3R disconnect and NEMA 3R enclosure with two magnetic starters, transformer and wiring, all for one point power connection, available at extra cost.

Application is in locale not requiring 10 ft. separation between exhaust and supply fans.



## DIMENSIONS

SUPPLY FAN MODEL	SUPPLY FAN A - SQ.	EXHAUST FAN T - SQ.	W	L
DUL-10	26	TO FIT FAN	29	$36 + 1/2 T + 1/2 \text{ O.D. Shroud}$
DUL-12	32		35	$42 + 1/2 T + 1/2 \text{ O.D. Shroud}$
DUL-15	32		35	$42 + 1/2 T + 1/2 \text{ O.D. Shroud}$
DUL-18	36	SELECTED	39	$46 + 1/2 T + 1/2 \text{ O.D. Shroud}$
DUL-20	46		49	$58 + 1/2 T + 1/2 \text{ O.D. Shroud}$



# DUAL FAN PACKAGE - DU

Combination Filtered Supply Fan and standard manufacture of up-blast grease exhaust fan to fit on a common curb for one roof penetration.

Supply fan has filters on three sides only. The adapter base for the exhaust fan is fabricated to fit all makes and models of up-blast units.

This unit is to be used where a 10 ft. separation is not required between exhaust fan and air intake. Where 10 ft. separation is required, use Model MUB in the "Air Handling Units" catalogue.

- Construction: See page 2 for Supply Fan Construction.
- Performance: Enter tables on page 3 at a static pressure  $1/4$  in. higher than specified external static pressure to compensate for 3-sided filtered intake. Maximum C.F.M. is 75% of KS Fan maximum.

MODEL	A	B	C	D	E	F	G	H	J	L	FILTERS
DU-10	26	36	16	11.5	13	6.5	5	28.5	28	54	(3) 16 x 20
DU-12	32	42	20	13.5	16	8	5.25	32.5	34	66	(3) 20 x 25
DU-15	32	42	20	16	19	6.5	5.25	32.5	34	66	(3) 20 x 25
DU-18	36	46	22	19	22	7	5.25	38.25	38	74	(3) 20 x 28
DU-20	46	60	24	25	23	11.5	6	48	48	94	(6) 20 x 20

To maintain Kees' policy of continuous product improvement, we reserve the right to change prices, specifications, ratings or dimensions without notice or obligation.