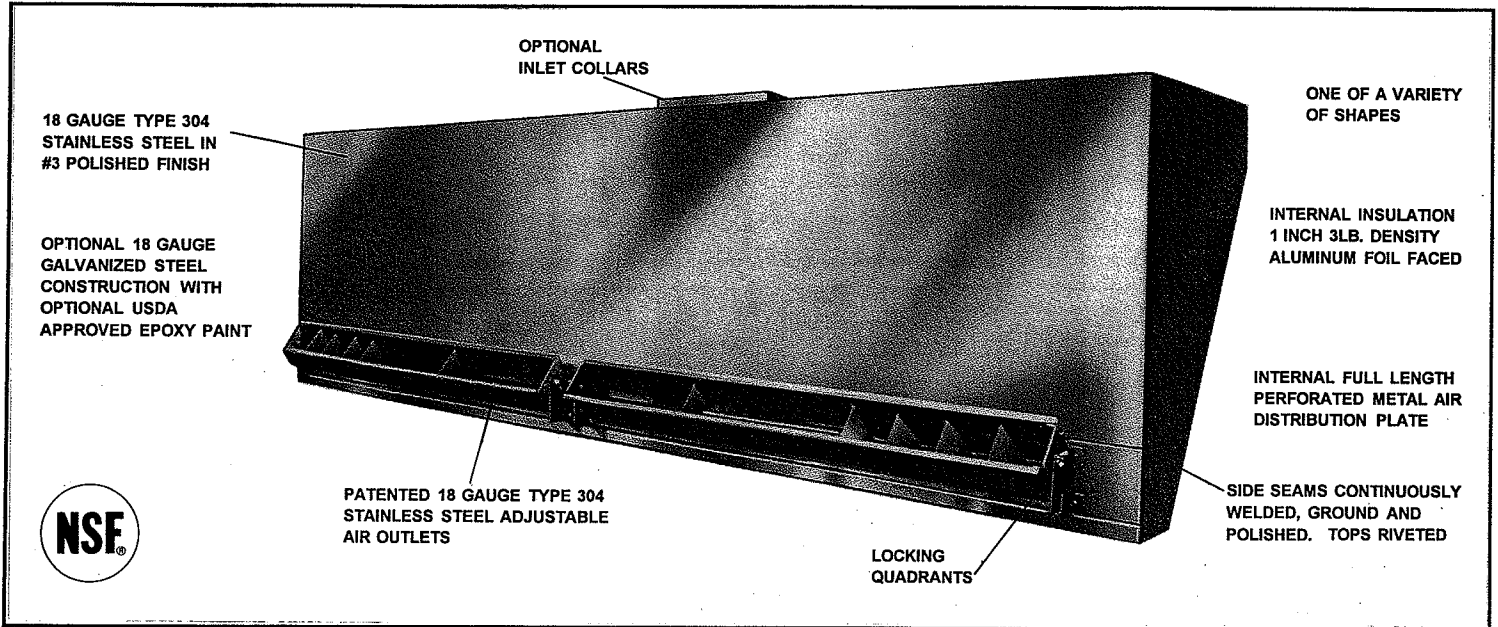




RETRO-FIT HOODS - SERIES 34

To Convert Exhaust Only Hoods
To Energy Saving Short Cycle Hoods



APPLICATION:

Functions to reduce loss of room air from an exhaust only kitchen canopy where a cooking line generates moderate to low amounts of grease fumes. Untempered but filtered outside air is introduced into an existing hood and directed by means of the patented adjustable air nozzles to induce grease, smoke, and heat fumes and carry them to the filters. Heated and/or cooled building air is saved as the exhaust fan is partially satisfied with the outside air.

A wall mounted hood must have its filter rack at the rear so that the untempered air and its induced gases are blown away from the cook, while an island hood must have a "V" filter rack in the middle of the hood for the same reason. Pressure drop from the entering collar thru the nozzles is approximately 0.25 in. water gauge.

Bottom of retro-fit should be no less than 6'6" above finished floor. Filters on existing hood should be baffle type to equalize exhaust air profile.

AVAILABLE SIZES:

Maximum length in one section is 12 ft. while multiple sections are joined by joint covers. Lengths under 12 ft. available in any increment.

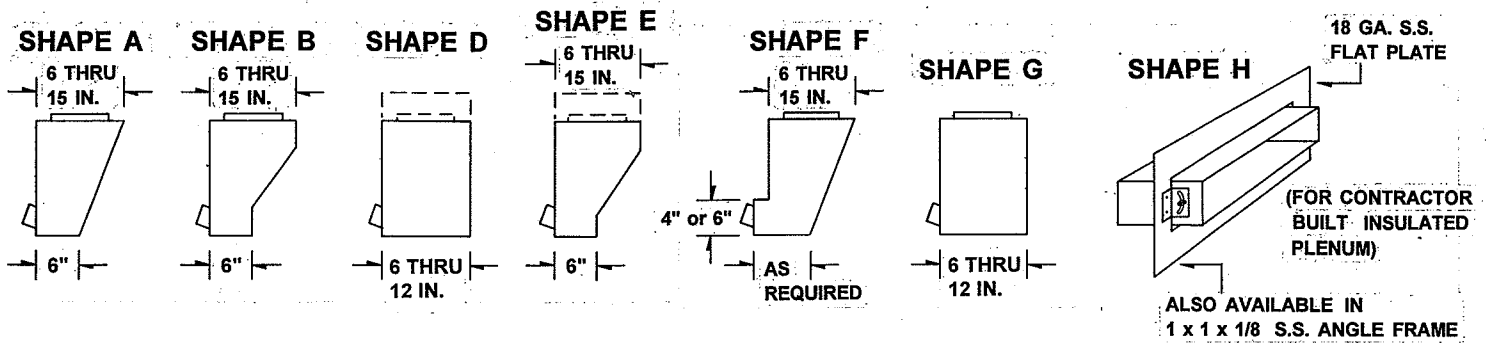
HEIGHT:

10 inches thru 48 inches in any increment.

OPTIONS:

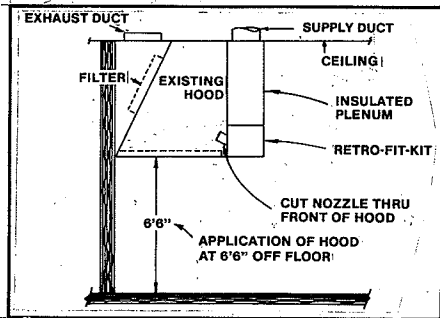
Closures to ceiling and flush mounted light switch or fan-light switch with pilot light.

TYPICAL RETRO SHAPES:



EXAMPLES:

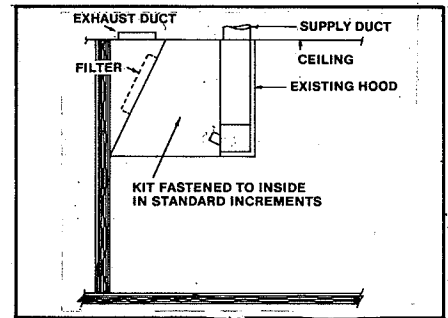
RECOMMENDED RANGES: *



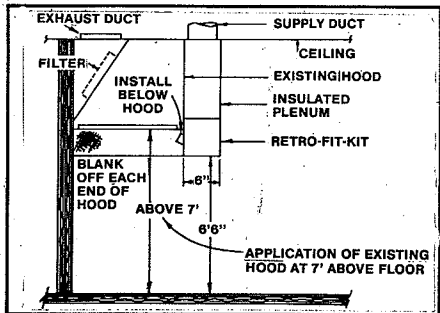
Hood 6'6" from floor.
Unit attached to outside of hood.

| Unit Size Length | Number of Nozzle Outlets | Minimum C.F.M. | Maximum C.F.M. |
|------------------|--------------------------|----------------|----------------|
| 3'0" | 1 | 615 | 1165 |
| 4'0" | 1 | 813 | 1610 |
| 5'0" | 1 | 1022 | 2012 |
| 6'0" | 2 | 1210 | 2415 |
| 7'0" | 2 | 1461 | 2818 |
| 8'0" | 2 | 1760 | 3220 |
| 9'0" | 2 | 1879 | 3622 |
| 10'0" | 2 | 2088 | 4025 |
| 11'0" | 3 | 2277 | 4427 |
| 12'0" | 3 | 2515 | 4825 |

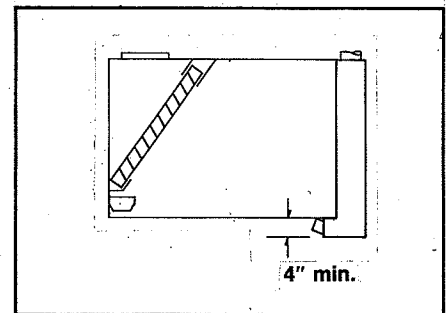
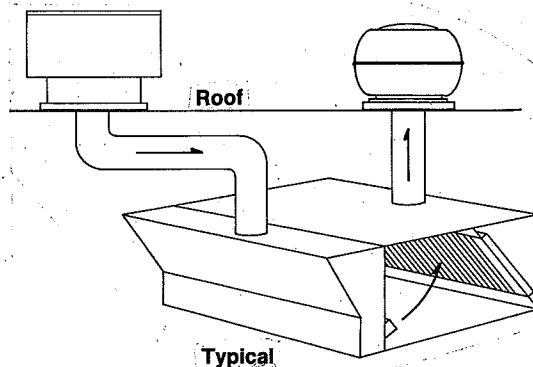
*NOTE: Supply Air Capacity Will Vary With Existing Hood Configurations, Exhaust Air Volume And Cooking Equipment.



Unit inside existing hood.



Hood 7' or more from floor.
Unit attached to outside of hood.



Retro-wraps under hood rail.

TYPICAL SPECIFICATIONS:

Provide KEES Series 34 kitchen retro-hood to convert the exhaust hood to a short-cycle system by introducing the untempered outside directly into the hood through adjustable rotatable 304 stainless steel nozzles. The retro hood shall be constructed of 304 polished stainless (painted galvanized steel) (non-painted galvanized steel) and lined with 1 inch of 3 lb. rigid aluminum foil faced insulation with all exposed edges covered with heat sealed aluminum foil tape. The unit shall include a full length perforated plate in the plenum, air straighteners in the outlet nozzles and nozzle locking nuts.

KEES INCORPORATED

400 S. Industrial Drive
Elkhart Lake, WI 53020
920-876-3391 ■ Fax 920-876-3065
www.kees.com

To maintain KEES' policy of continuous product improvement, we reserve the right to change prices, specifications, ratings, or dimensions without prior notice or obligation.