



ROOF CURBS & STRAIGHT RAIL EQUIPMENT SUPPORTS

STANDARD CONSTRUCTION ALL STYLES:

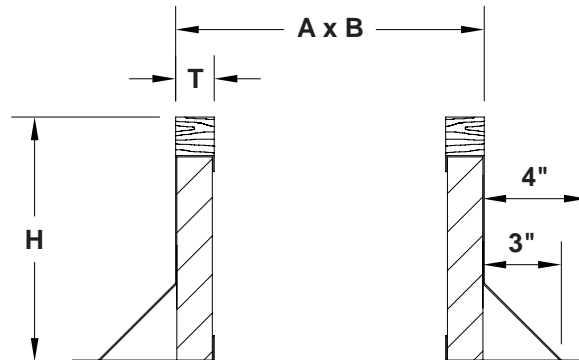
- 18 ga. galvanized steel - continuous welded seams.
- 1-1/2 inch wide with fiberglass insulation.
- 8 inch high - no limit on length and width.
- Wood nailer untreated.

OPTIONAL CONSTRUCTION:

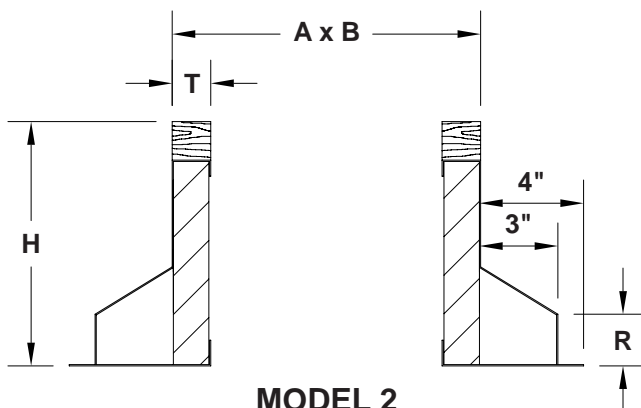
- 16, 14, 12 or 10 ga. galvanized steel, stainless steel or aluminum.
- Widths from 1-3/4" thru 5-1/2".
- Heights from 6" thru 48".

OPTIONS:

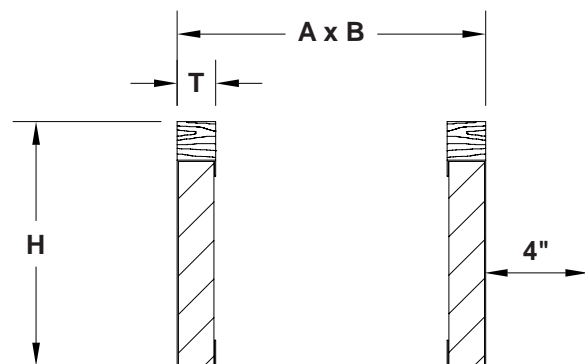
- Wood nailer treated.
- Neoprene gasket - inside liner.
- Security bars - one or two way pitch.
- Damper holding shelf.



**MODEL 1
STANDARD**

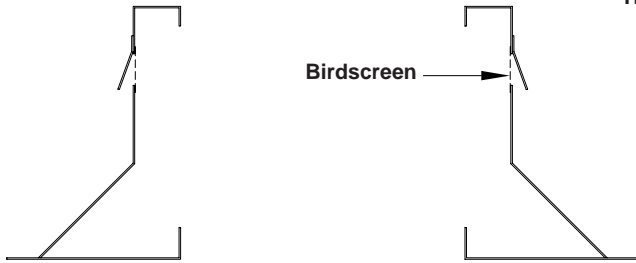


**MODEL 2
RAISED CANT**

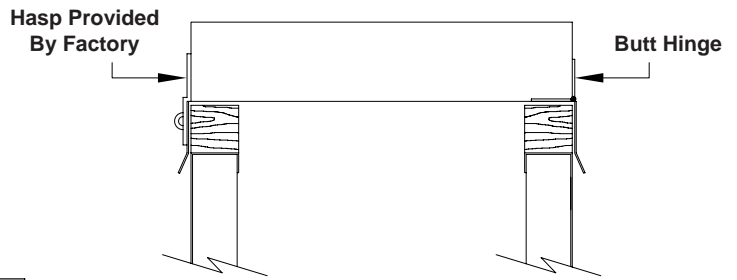


**MODEL 3
SELF-FLASHING**

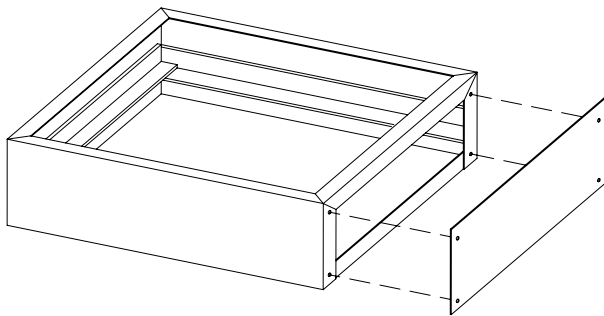
SPECIALTY CURBS



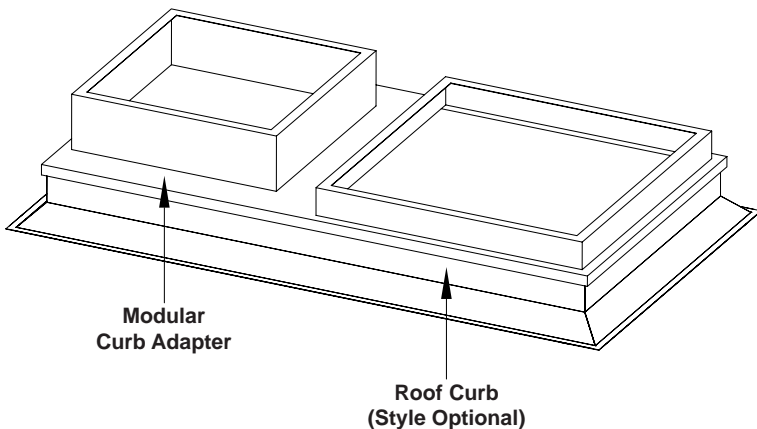
**MODEL 5
VENTED CURB**



HINGED SUB BASE

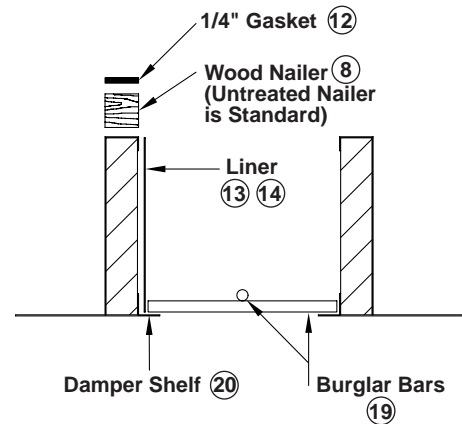


**MOUNTED PEDESTAL
WITH DAMPER DRAWER**



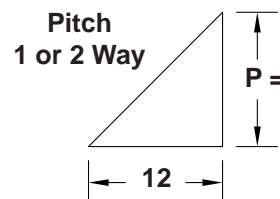
MODULAR ROOF CURB

CURB OPTIONS

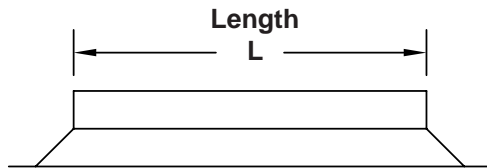
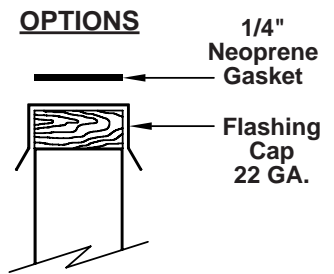
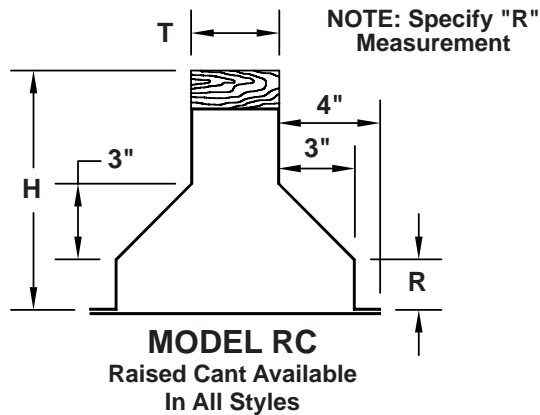
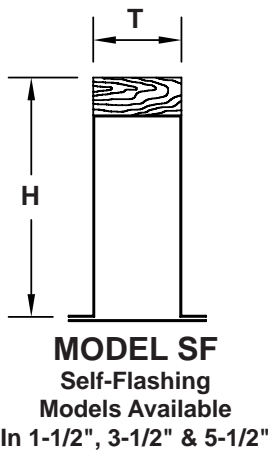
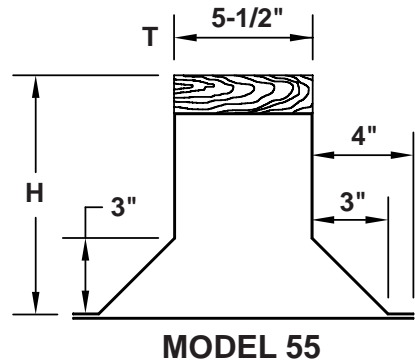
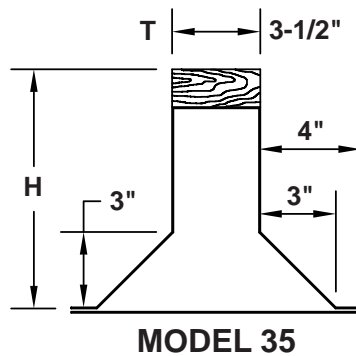
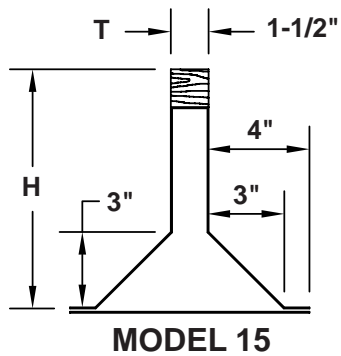


OPTION NUMBERS:

- 8 - Wood Nailor - Treated
- 11 - .063" Aluminum Construction
- 12 - 1/4" Neoprene Gasket
- 13 - Inside Liner - 22 GA. Galv.
- 14 - Inside Liner - Aluminum
- 17 - One Way Pitch
- 18 - Two Way Pitch
- 19 - Burglar Bars 1/2" on 6" Centers
- 20 - Damper Shelf



EQUIPMENT SUPPORTS



STANDARD CONSTRUCTION ALL STYLES:

- 18 ga. galvanized - continuous welded seams.
- Widths: 1-1/2", 3-1/2" or 5-1/2" with untreated wood nailer as standard.
- Heights: 8", 12", 16", 18" or 24".
- Length: 12 feet in one section with joiners for longer lengths.

OPTIONAL CONSTRUCTION:

- 16, 14, 12 or 10 ga. galvanized steel, stainless steel, aluminum or copper sheathed.
- Any width or height desired.
- Treated wood nailer.

OPTIONS:

- Flashing cap - neoprene gasket - one or two way pitch - special reinforcement for extra heavy loading.

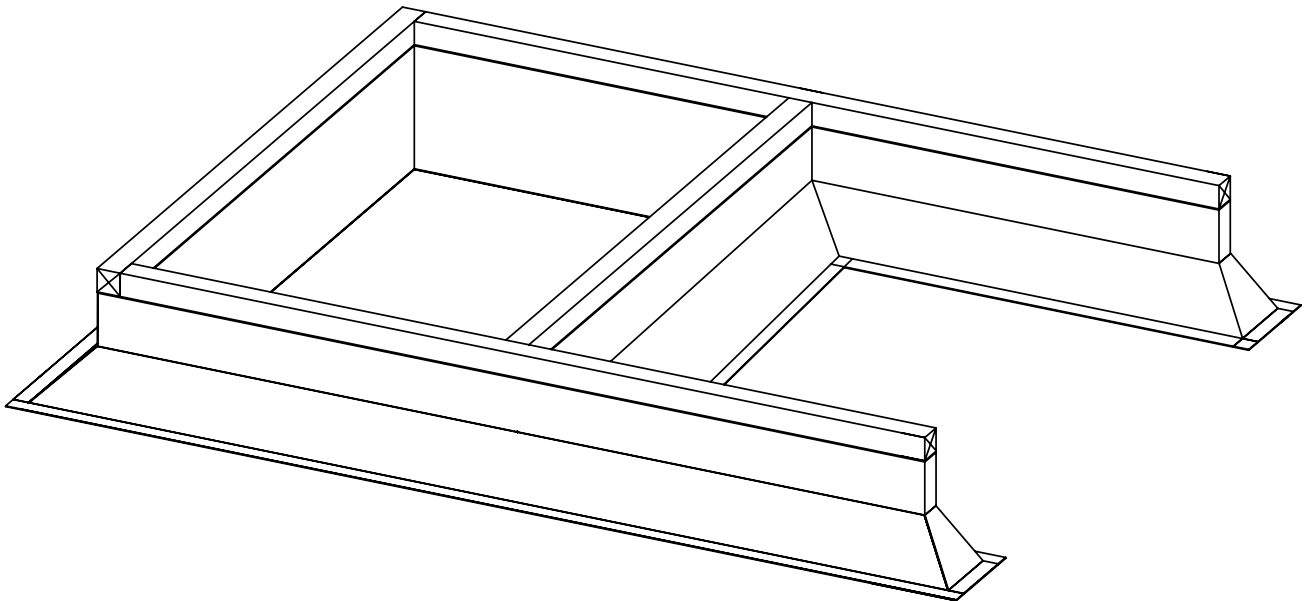
RAIL LOAD RATINGS

UNIFORM LOADING	POUNDS PER FOOT OF LENGTH - 12 IN. HIGH UNITS					
	LENGTH OF RAIL					
	2'	4'	6'	8'	10'	12'
MODEL 15	550	510	455	370	320	300
MODEL 35	1050	1020	675	540	425	390
MODEL 55	1320	1190	1020	840	700	510

CENTER POINT LOADING	POUNDS LOAD AT CENTER OF RAIL - 12 IN. HIGH UNITS					
	LENGTH OF RAIL					
	2'	4'	6'	8'	10'	12'
MODEL 15	1750	1590	1380	1160	970	840
MODEL 35	2600	2250	1940	1800	1580	1410
MODEL 55	6250	5715	4520	3750	3000	2300

COMBINATION RAIL & CURB SUPPORTS

ANY COMBINATION OF ROOF CURB AND ROOF RAILS AS PREVIOUSLY DESCRIBED.



To maintain KEES' policy of continuous product improvement, we reserve the right to change prices, specifications, ratings or dimensions without notice or obligation.

KEES, INCORPORATED • 400 S. INDUSTRIAL DRIVE
ELKHART LAKE, WISCONSIN 53020 • PHONE (920) 876-3391 • FAX (920) 876-3065 • www.kees.com

RC & ES 04/12