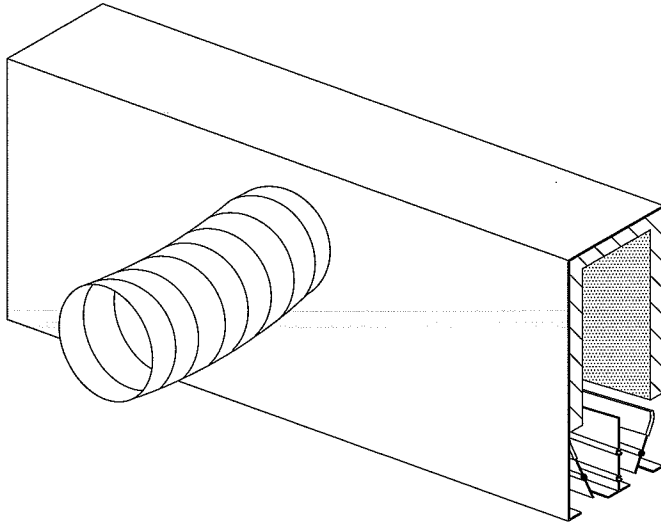


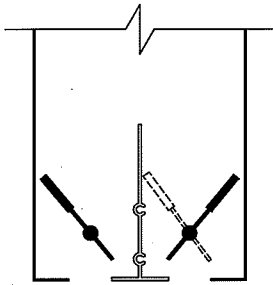


PLENUM SLOT AIR DIFFUSERS

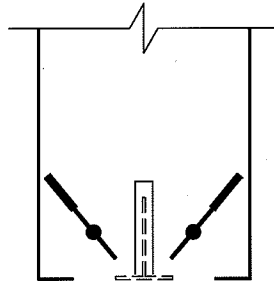
MODEL K-50-75-100-150 • 1 THRU 10 SLOTS WIDE
MODEL KLP-50-75-100-150 LOW PROFILE • 1 & 2 SLOTS WIDE
MODEL FRK-75-100-150 FIRE RATED • 1 & 2 SLOTS WIDE



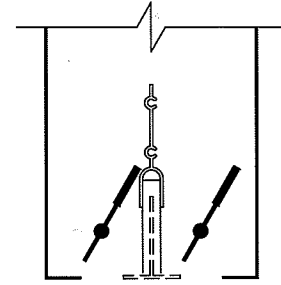
- Model K designed for use with all styles of suspended or "hard" ceiling systems including 9/16" T-bar suspended ceilings, tegular, spline, etc.
- Model KLP designed for use with 15/16" suspended ceiling or "hard" ceiling.
- Model K and KLP available in standard supply slot widths of 1/2, 3/4, 1 and 1-1/2 inches with matching returns.
- Model K and KLP adjustable pattern control thru 180 degrees.
- Model K 1 thru 10 slot styles - both supply and matching return.
- See pages 10 and 11 for additional options.
- Fire rated available in one and two slot units, 24 and 48 inches long - see page 12.



2 way opposite or one way blow. Option 3 - center tee by Kees.



Straddling ceiling "T" 2 way opposite blow



Center "T" extension straddling ceiling "T" one way blow

APPLICATION

Ideal for use with variable and constant volume systems for supply or return units. Minimizes air "dumping" at low flow rates. Handles heated or cooled air, functions well in areas with low ceilings and ideal for "blanketing" windows and outside walls.

CONSTRUCTION

Diffuser plenum is constructed of 24 gauge galvanealed steel. Models K and KLP air pattern controllers are extruded aluminum with a resilient edge. Factory furnished center "T"s and optional surface mounting frames are extruded aluminum. Interior or exterior of plenum available with coated fiberglass insulation. Round or oval inlets are available with optional damper. K units available in any length to 72" (KLP units to 60"). Multiple units may be combined for longer lengths.

PERFORMANCE

Certified independent testing, quiet operating, low pressure drop.

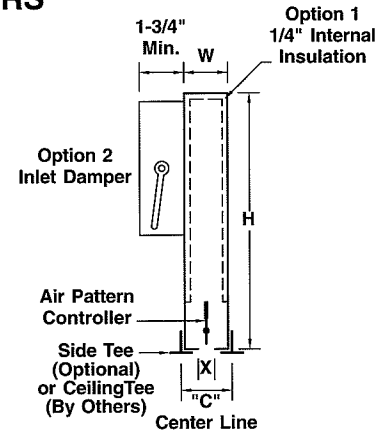
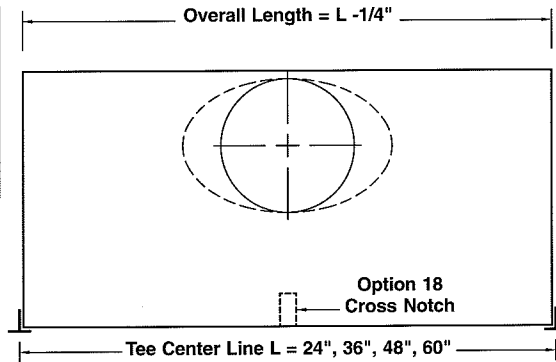
APPEARANCE

Integrates with "T"-bar ceiling with off-white "T" bars and flat black interior. Surface mounting frame for mounting in "hard" ceilings available.

MODEL K - ONE SLOT SUPPLY DIFFUSERS

MODEL	SLOT WIDTH X	W	C
K-50-1	1/2"	1-5/8"	1-7/8"
K-75-1	3/4"	1-7/8"	2-1/8"
K-100-1	1"	2-1/8"	2-3/8"
K-150-1	1-1/2"	2-5/8"	2-7/8"

STANDARD INLET SIZE	H
6" RD.	11-5/8"
7" RD.	11-5/8"
8" RD.	11-5/8"
10" OVAL	11-5/8"

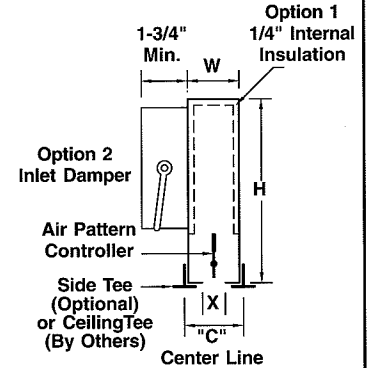
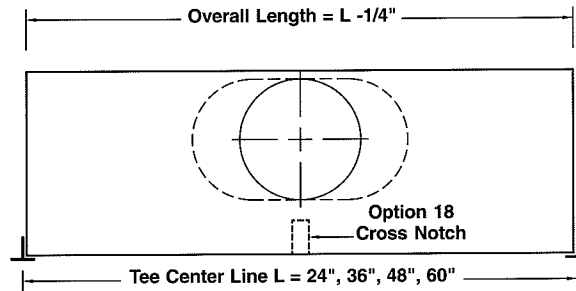


Refer to pages 10 and 11 for additional options.

MODEL KLP - ONE SLOT LOW PROFILE SUPPLY DIFFUSERS

MODEL	SLOT WIDTH X	W	C
KLP-50-1	1/2"	1-5/8"	1-7/8"
KLP-75-1	3/4"	1-7/8"	2-1/8"
KLP-100-1	1"	2-1/8"	2-3/8"
KLP-150-1	1-1/2"	2-5/8"	2-7/8"

STANDARD INLET SIZE	H
5" RD.	8"
6" OVAL	8"
8" OVAL	8"
10" OVAL	8"

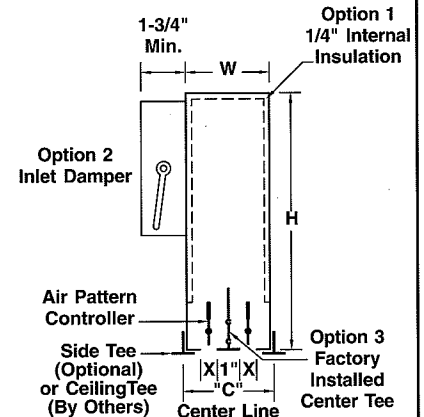
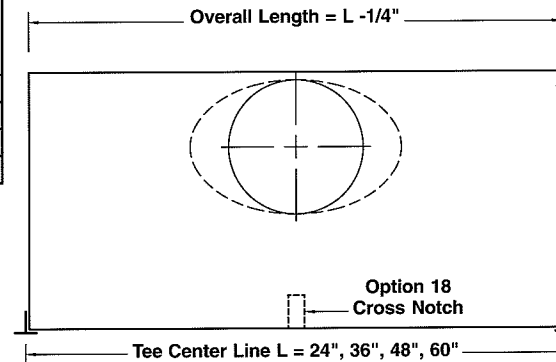


Refer to page 10 for additional options.

MODEL K - TWO SLOT SUPPLY DIFFUSERS

MODEL	SLOT WIDTH X	W	C
K-50-2	1/2"	3-1/8"	3-3/8"
K-75-2	3/4"	3-5/8"	3-7/8"
K-100-2	1"	4-1/8"	4-3/8"
K-150-2	1-1/2"	5-1/8"	5-3/8"

STANDARD INLET SIZE	H
6" RD.	11-5/8"
7" RD.	11-5/8"
8" RD.	11-5/8"
10" OVAL	11-5/8"

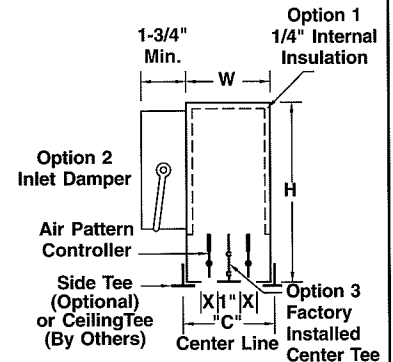
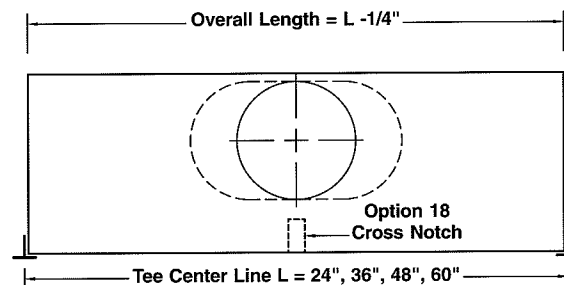


Refer to pages 10 and 11 for additional options.

MODEL KLP - TWO SLOT LOW PROFILE SUPPLY DIFFUSERS

MODEL	SLOT WIDTH X	W	C
KLP-50-2	1/2"	3-1/8"	3-3/8"
KLP-75-2	3/4"	3-5/8"	3-7/8"
KLP-100-2	1"	4-1/8"	4-3/8"
KLP-150-2	1-1/2"	5-1/8"	5-3/8"

STANDARD INLET SIZE	H
5" RD.	8"
6" OVAL	8"
8" OVAL	8"
10" OVAL	8"

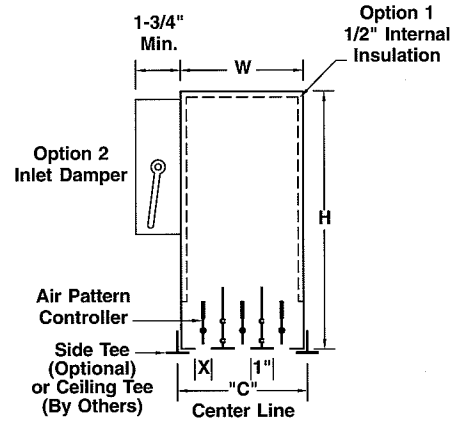
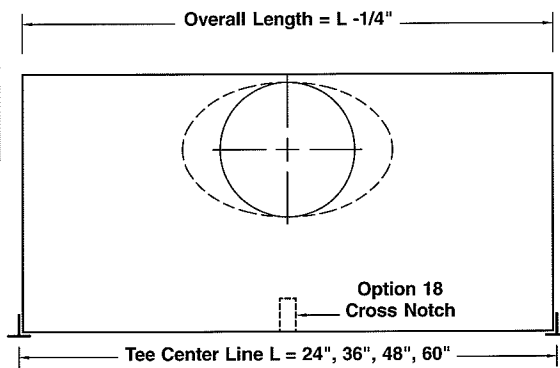


Refer to page 10 for additional options.

MODEL K - THREE SLOT SUPPLY DIFFUSERS

MODEL	SLOT WIDTH X	W	C
K-50-3	1/2"	4-5/8"	4-7/8"
K-75-3	3/4"	5-3/8"	5-5/8"
K-100-3	1"	6-1/8"	6-3/8"
K-150-3	1-1/2"	7-5/8"	7-7/8"

STANDARD INLET SIZE	H
6" RD.	11-5/8"
7" RD.	11-5/8"
8" RD.	11-5/8"
10" OVAL	11-5/8"
10" RD.	13-5/8"
12" OVAL	13-5/8"

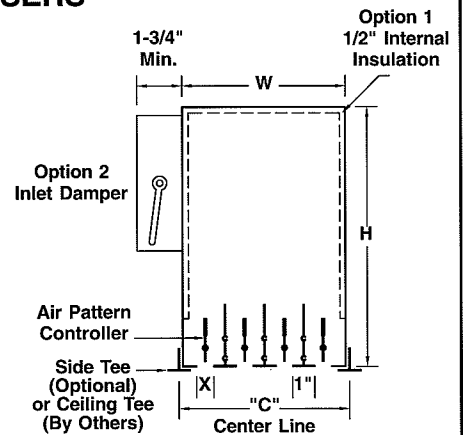
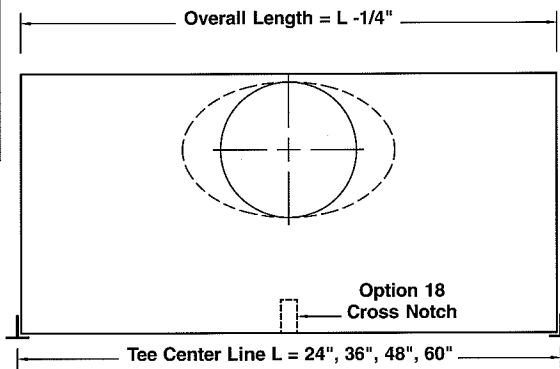


Refer to pages 10 and 11 for additional options.

MODEL K - FOUR SLOT SUPPLY DIFFUSERS

MODEL	SLOT WIDTH X	W	C
K-50-4	1/2"	6-1/8"	6-3/8"
K-75-4	3/4"	7-1/8"	7-3/8"
K-100-4	1"	8-1/8"	8-3/8"
K-150-4	1-1/2"	10-1/8"	10-3/8"

STANDARD INLET SIZE	H
7" RD.	11-5/8"
8" RD.	11-5/8"
10" OVAL	11-5/8"
10" RD.	13-5/8"
12" OVAL	13-5/8"
14" OVAL	13-5/8"

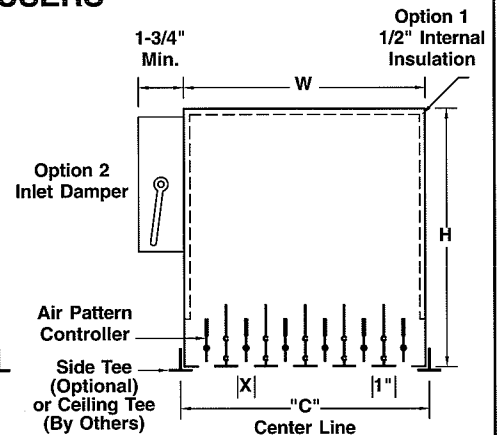
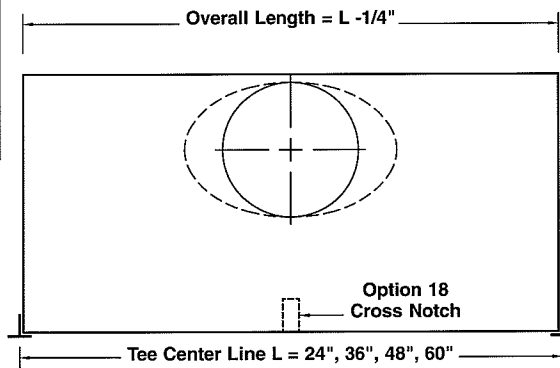


Refer to pages 10 and 11 for additional options.

MODEL K - SIX SLOT SUPPLY DIFFUSERS

MODEL	SLOT WIDTH X	W	C
K-50-6	1/2"	9-1/8"	9-3/8"
K-75-6	3/4"	10-5/8"	10-7/8"
K-100-6	1"	12-1/8"	12-3/8"
K-150-6	1-1/2"	15-1/8"	15-3/8"

STANDARD INLET SIZE	H
8" RD.	11-5/8"
10" OVAL	11-5/8"
12" OVAL	13-5/8"
14" OVAL	13-5/8"
16" OVAL	13-5/8"
18" OVAL	13-5/8"

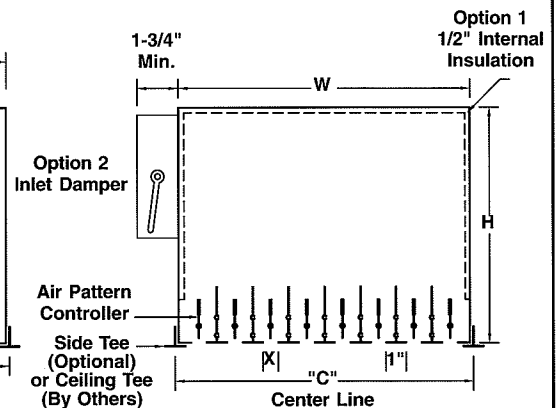
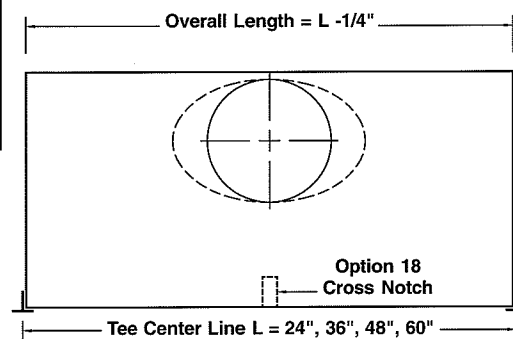


Refer to pages 10 and 11 for additional options.

MODEL K - EIGHT SLOT SUPPLY DIFFUSERS

MODEL	SLOT WIDTH X	W	C
K-50-8	1/2"	12-1/8"	12-3/8"
K-75-8	3/4"	14-1/8"	14-3/8"
K-100-8	1"	16-1/8"	16-3/8"
K-150-8	1-1/2"	20-1/8"	20-3/8"

STANDARD INLET SIZE	H
8" RD.	11-5/8"
10" OVAL	11-5/8"
12" OVAL	13-5/8"
14" OVAL	13-5/8"
16" OVAL	13-5/8"
18" OVAL	13-5/8"

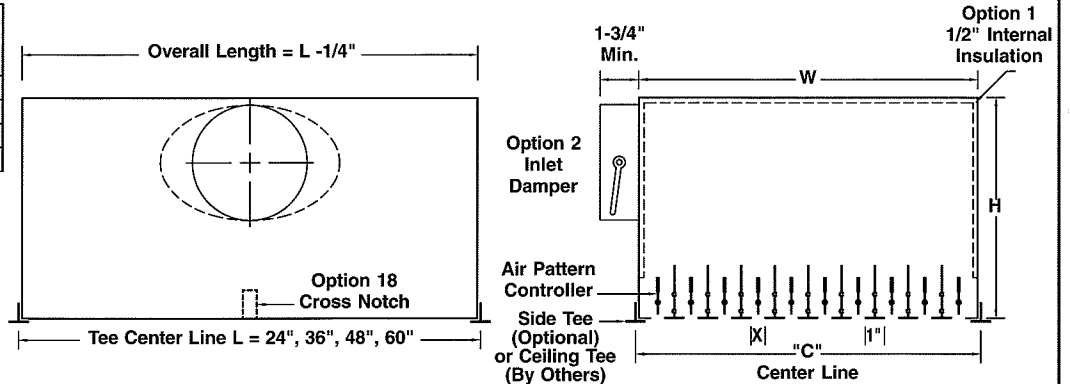


Refer to pages 10 and 11 for additional options.

MODEL K - TEN SLOT SUPPLY DIFFUSERS

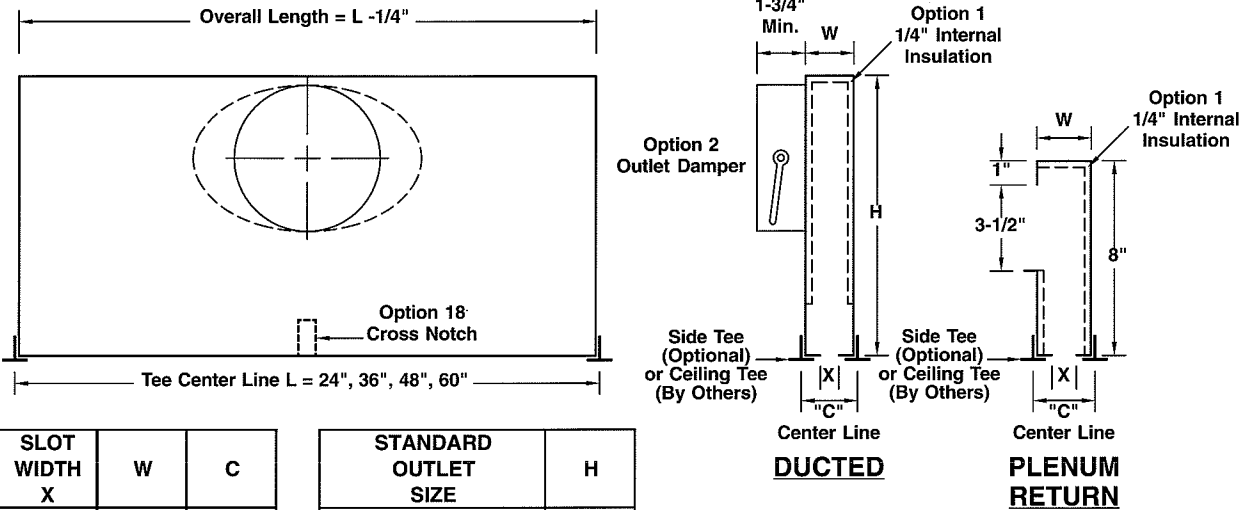
MODEL	SLOT WIDTH X	W	C
K-50-10	1/2"	15-1/8"	15-3/8"
K-75-10	3/4"	17-5/8"	17-7/8"
K-100-10	1"	20-1/8"	20-3/8"
K-150-10	1-1/2"	25-1/8"	25-3/8"

STANDARD INLET SIZE	H
10" OVAL	11-5/8"
12" OVAL	13-5/8"
14" OVAL	13-5/8"
2-12" OVALS	13-5/8"
2-14" OVALS	13-5/8"
2-16" OVALS	13-5/8"



Refer to pages 10 and 11 for additional options.

MODEL K - ONE SLOT RETURN

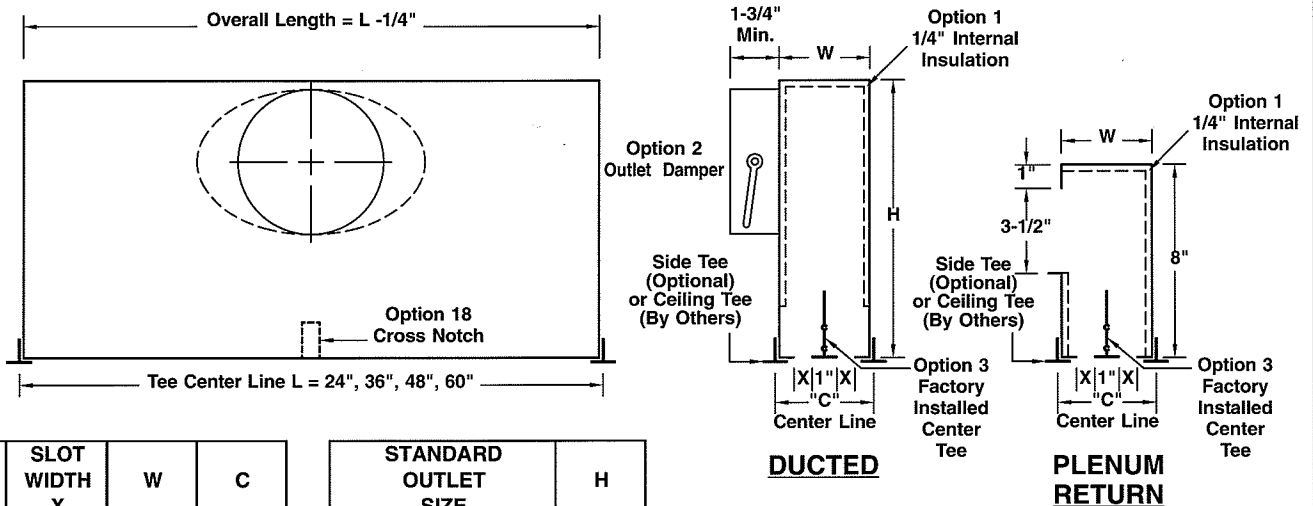


MODEL	SLOT WIDTH X	W	C
KR-50-1	1/2"	1-5/8"	1-7/8"
KR-75-1	3/4"	1-7/8"	2-1/8"
KR-100-1	1"	2-1/8"	2-3/8"
KR-150-1	1-1/2"	2-5/8"	2-7/8"

STANDARD OUTLET SIZE	H
6" RD.	11-5/8"
7" RD.	11-5/8"
8" RD.	11-5/8"
10" OVAL	11-5/8"
OPEN SIDE	8"

Model KLP returns also available.
Refer to pages 10 and 11 for additional options.

MODEL K - TWO SLOT RETURN

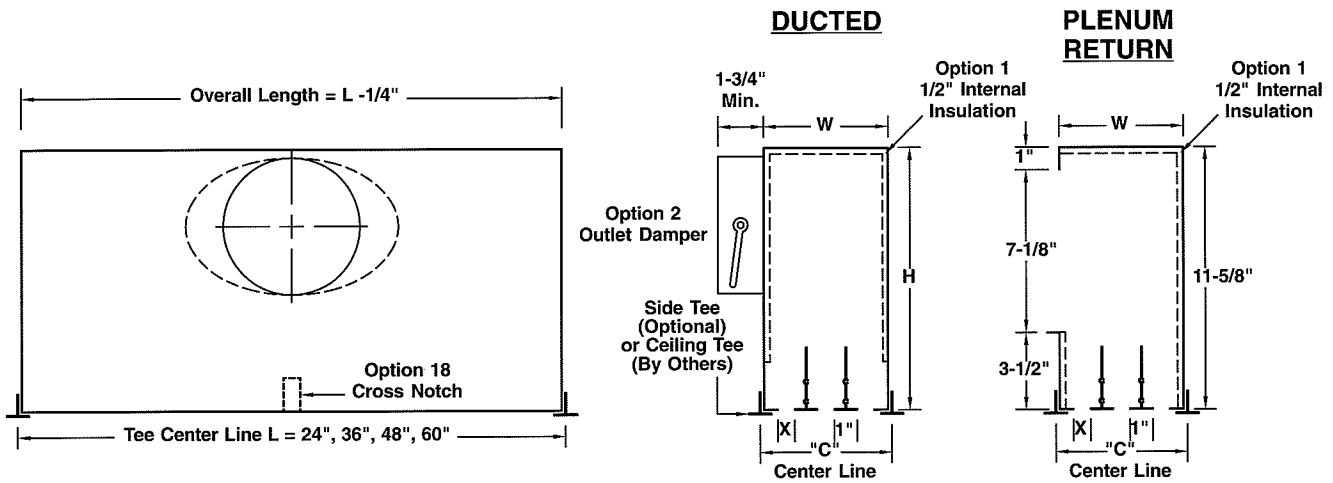


MODEL	SLOT WIDTH X	W	C
KR-50-2	1/2"	3-1/8"	3-3/8"
KR-75-2	3/4"	3-5/8"	3-7/8"
KR-100-2	1"	4-1/8"	4-3/8"
KR-150-2	1-1/2"	5-1/8"	5-3/8"

STANDARD OUTLET SIZE	H
6" RD.	11-5/8"
7" RD.	11-5/8"
8" RD.	11-5/8"
10" OVAL	11-5/8"
OPEN SIDE	8"

Model KLP returns also available.
Refer to pages 10 and 11 for additional options.

MODEL K - THREE SLOT RETURN DIFFUSERS

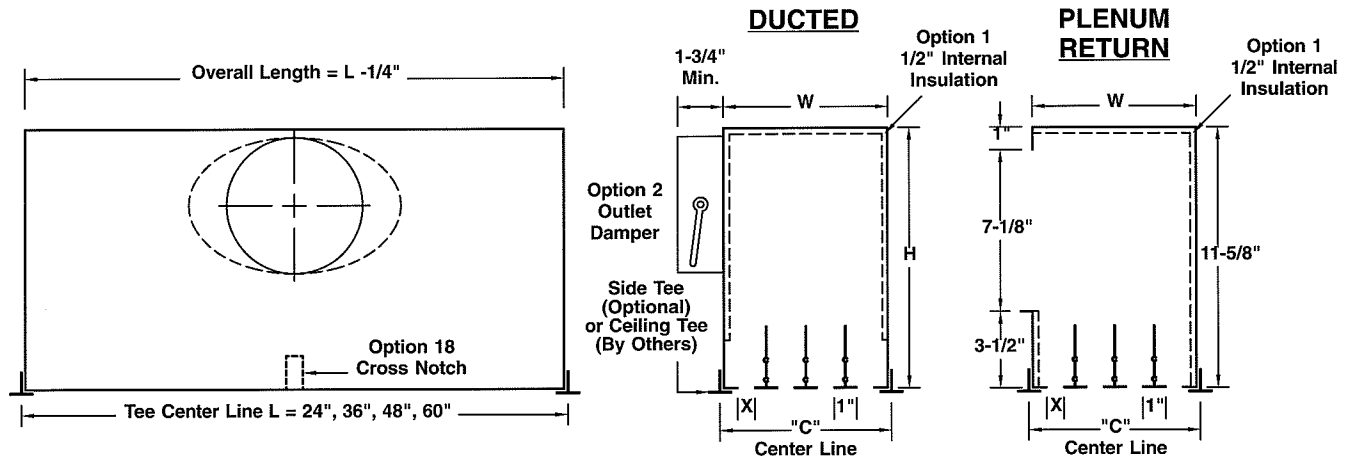


MODEL	SLOT WIDTH X	W	C
KR-50-3	1/2"	4-5/8"	4-7/8"
KR-75-3	3/4"	5-3/8"	5-5/8"
KR-100-3	1"	6-1/8"	6-3/8"
KR-150-3	1-1/2"	7-5/8"	7-7/8"

STANDARD OUTLET SIZE	H
6" RD.	11-5/8"
7" RD.	11-5/8"
8" RD.	11-5/8"
10" OVAL	11-5/8"
10" RD.	13-5/8"
12" OVAL	13-5/8"
OPEN SIDE	11-5/8"

Model K returns also available up to 10 slots. Refer to pages 10 and 11 for additional options.

MODEL K - FOUR SLOT RETURN DIFFUSERS



MODEL	SLOT WIDTH X	W	C
KR-50-4	1/2"	6-1/8"	6-3/8"
KR-75-4	3/4"	7-1/8"	7-3/8"
KR-100-4	1"	8-1/8"	8-3/8"
KR-150-4	1-1/2"	10-1/8"	10-3/8"

STANDARD OUTLET SIZE	H
7" RD.	11-5/8"
8" RD.	11-5/8"
10" OVAL	11-5/8"
10" RD.	11-5/8"
12" OVAL	13-5/8"
14" SLOT	13-5/8"
OPEN SIDE	11-5/8"

Model K returns also available up to 10 slots. Refer to pages 10 and 11 for additional options.

PERFORMANCE DATA

MODEL (1)	INLET DIA. (1)	ONE SLOT SUPPLY DIFFUSER PERFORMANCE DATA								Ak (7)
		48" LONG UNIT (2) - INSULATED								
K-50-1 1/2" SLOT	6" Dia	CFM	40	50	60	80	100	120	140	0.08
		Ps - IWG	0.02	0.03	0.04	0.07	0.11	0.16	0.22	
		NC (3)	<20	<20	<20	21	28	32	37	
		THROW (4)	5-7-11	6-8-12	7-9-14	9-11-16	10-13-18	12-15-20	14-17-22	
K-75-1 3/4" SLOT	8" Dia	CFM	50	60	80	100	120	140	160	0.10
		Ps - IWG	0.02	0.03	0.05	0.08	0.12	0.16	0.21	
		NC (3)	<20	<20	<20	21	26	30	34	
		THROW (4)	5-7-12	7-9-13	8-10-15	10-13-18	11-15-20	13-17-23	15-19-26	
K-100-1 1" SLOT	8" Dia	CFM	80	105	130	155	180	205	240	0.12
		Ps - IWG	0.02	0.04	0.06	0.08	0.11	0.14	0.19	
		NC (3)	<20	<20	<20	23	27	31	35	
		THROW (4)	7-10-15	11-14-17	13-16-21	15-18-25	16-19-27	17-20-29	18-22-31	
K-150-1 1-1/2" SLOT	10 Oval	CFM	100	135	170	200	235	270	300	0.22
		Ps - IWG	0.03	0.05	0.08	0.11	0.15	0.20	0.25	
		NC (3)	<20	<20	<20	22	26	30	33	
		THROW (4)	9-13-17	13-16-22	15-19-26	16-20-29	17-22-32	18-24-33	20-25-34	

MODEL (1)	INLET DIA. (1)	ONE SLOT SUPPLY DIFFUSER PERFORMANCE DATA								Ak (7)
		48" LONG UNIT (2) - INSULATED								
KLP-50-1 1/2" SLOT	6" Oval	CFM	30	40	50	60	80	100	120	0.08
		Ps - IWG	0.02	0.03	0.04	0.06	0.11	0.17	0.25	
		NC (3)	<20	<20	<20	<20	26	33	38	
		THROW (4)	3-5-9	5-7-11	6-8-12	7-9-14	9-11-16	10-13-18	12-15-20	
KLP-75-1 3/4" SLOT	8" Oval	CFM	40	50	60	80	100	120	150	0.10
		Ps - IWG	0.01	0.02	0.03	0.06	0.09	0.13	0.21	
		NC (3)	<20	<20	<20	21	27	33	39	
		THROW (4)	4-6-10	5-7-12	7-9-13	8-10-15	10-13-18	11-15-20	14-18-25	
KLP-100-1 1" SLOT	8" Oval	CFM	60	85	110	135	160	190	220	0.12
		Ps - IWG	0.01	0.03	0.05	0.07	0.10	0.14	0.19	
		NC (3)	<20	<20	<20	24	29	34	38	
		THROW (4)	5-8-12	7-10-15	12-14-18	13-16-21	15-18-25	16-19-27	18-21-30	
KLP-150-1 1-1/2" SLOT	8" Oval	CFM	80	110	140	170	200	230	260	0.22
		Ps - IWG	0.02	0.03	0.06	0.08	0.11	0.15	0.19	
		NC (3)	<20	<20	22	28	33	37	40	
		THROW (4)	7-11-15	10-14-18	13-16-22	15-19-26	16-20-29	17-22-32	18-24-33	

MODEL (1)	INLET DIA. (1)	TWO SLOT SUPPLY DIFFUSER PERFORMANCE DATA								Ak (7)
		48" LONG UNIT (2) - INSULATED - ONE WAY THROW (5)								
K-50-2 1/2" SLOT	8" Dia	CFM	80	100	120	150	180	200	220	0.16
		Ps - IWG	0.02	0.04	0.05	0.08	0.12	0.15	0.18	
		NC (3)	<20	<20	<20	24	29	33	35	
		THROW (4)	7-10-17	8-11-18	9-13-20	12-15-22	14-18-25	15-19-27	16-21-29	
K-75-2 3/4" SLOT	8" Dia	CFM	100	130	160	190	220	250	280	0.20
		Ps - IWG	0.02	0.03	0.05	0.07	0.10	0.13	0.16	
		NC (3)	<20	<20	20	24	29	32	35	
		THROW (4)	7-11-18	9-13-20	11-14-21	13-17-25	15-21-28	16-23-30	18-24-33	
K-100-2 1" SLOT	10" Oval	CFM	160	195	230	270	305	340	380	0.24
		Ps - IWG	0.03	0.05	0.07	0.09	0.11	0.14	0.18	
		NC (3)	<20	<20	21	26	29	32	35	
		THROW (4)	9-14-21	14-18-23	16-20-25	18-21-28	20-24-33	22-26-36	23-27-38	
K-150-2 1-1/2" SLOT	10" Oval	CFM	200	250	300	350	400	450	500	0.44
		Ps - IWG	0.03	0.04	0.06	0.09	0.11	0.14	0.17	
		NC (3)	<20	20	25	29	33	36	39	
		THROW (4)	11-17-24	17-21-30	19-23-33	22-26-36	23-28-39	24-30-43	25-31-45	

PERFORMANCE DATA

MODEL (1)	INLET DIA. (1)	TWO SLOT SUPPLY DIFFUSER PERFORMANCE DATA								Ak (7)
		48" LONG UNIT (2) - INSULATED - ONE WAY THROW (5)								
KLP-50-2 1/2" SLOT	8" Oval	CFM	40	60	80	105	130	155	180	0.16
		Ps - IWG	0.01	0.03	0.05	0.09	0.14	0.20	0.26	
		NC (3)	<20	<20	<20	23	30	35	39	
		THROW (4)	3-6-11	4-7-12	7-10-16	8-11-16	10-13-20	12-16-23	14-18-25	
KLP-75-2 3/4" SLOT	8" Oval	CFM	60	90	120	150	180	210	240	0.20
		Ps - IWG	0.02	0.04	0.07	0.10	0.15	0.20	0.27	
		NC (3)	<20	<20	21	27	33	37	41	
		THROW (4)	4-7-13	6-9-16	10-13-18	11-15-21	13-18-24	14-20-27	15-22-29	
KLP-100-2 1" SLOT	10" Oval	CFM	100	140	180	220	265	310	360	0.24
		Ps - IWG	0.01	0.02	0.04	0.06	0.08	0.11	0.15	
		NC (3)	<20	<20	<20	24	29	34	38	
		THROW (4)	6-9-15	8-12-18	11-15-21	15-19-24	18-21-28	20-24-33	22-27-37	
KLP-150-2 1-1/2" SLOT	10" Oval	CFM	150	195	240	285	330	375	420	0.44
		Ps - IWG	0.02	0.04	0.05	0.08	0.10	0.13	0.16	
		NC (3)	<20	<20	24	29	33	37	40	
		THROW (4)	9-15-20	11-17-24	15-21-26	18-22-31	21-26-36	22-27-38	23-29-41	

MODEL (1)	INLET DIA. (1)	THREE SLOT SUPPLY DIFFUSER PERFORMANCE DATA								Ak (7)
		48" LONG UNIT (2) - INSULATED - ONE WAY THROW (5)								
K-50-3 1/2" SLOT	10" Oval	CFM	120	140	160	200	235	270	300	0.24
		Ps - IWG	0.03	0.04	0.05	0.08	0.11	0.15	0.18	
		NC (3)	<20	<20	<20	24	28	32	35	
		THROW (4)	8-12-20	10-13-21	12-15-22	14-17-25	16-19-28	17-21-30	18-23-32	
K-75-3 3/4" SLOT	10" Oval	CFM	140	185	230	275	320	370	420	0.30
		Ps - IWG	0.02	0.04	0.07	0.09	0.13	0.17	0.22	
		NC (3)	<20	<20	20	25	30	34	37	
		THROW (4)	8-12-20	12-15-22	13-17-26	16-19-28	17-22-31	19-25-34	22-29-40	
K-100-3 1" SLOT	10" Oval	CFM	220	270	320	370	420	470	520	0.36
		Ps - IWG	0.03	0.05	0.07	0.10	0.12	0.15	0.19	
		NC (3)	<20	<20	24	28	31	34	37	
		THROW (4)	12-17-25	15-19-27	19-24-29	20-26-34	21-29-39	23-30-42	25-32-45	
K-150-3 1-1/2" SLOT	12" Oval	CFM	270	350	430	510	590	670	750	0.66
		Ps - IWG	0.03	0.04	0.06	0.09	0.12	0.16	0.19	
		NC (3)	<20	<20	24	29	32	36	39	
		THROW (4)	14-19-28	18-25-33	22-30-40	25-32-45	27-35-50	29-37-53	30-38-56	

MODEL (1)	INLET DIA. (1)	FOUR SLOT SUPPLY DIFFUSER PERFORMANCE DATA								Ak (7)
		48" LONG UNIT (2) - INSULATED - ONE WAY THROW (5)								
K-50-4 1/2" SLOT	10" Oval	CFM	160	200	240	280	320	360	400	0.32
		Ps - IWG	0.03	0.04	0.06	0.08	0.10	0.13	0.16	
		NC (3)	<20	20	25	29	33	36	39	
		THROW (4)	10-14-22	12-16-24	14-18-28	16-20-30	18-22-32	19-24-34	20-26-36	
K-75-4 3/4" SLOT	12" Oval	CFM	220	280	340	400	460	520	580	0.40
		Ps - IWG	0.03	0.05	0.08	0.11	0.15	0.19	0.23	
		NC (3)	<20	<20	23	28	32	35	38	
		THROW (4)	12-16-26	16-19-30	18-22-33	20-26-36	22-28-39	24-31-42	26-34-46	
K-100-4 1" SLOT	12" Oval	CFM	300	380	460	540	620	700	780	0.48
		Ps - IWG	0.03	0.05	0.07	0.10	0.13	0.17	0.21	
		NC (3)	<20	<20	23	28	32	35	38	
		THROW (4)	13-20-30	19-24-35	22-28-39	26-33-45	30-36-50	32-37-52	33-39-54	
K-150-4 1-1/2" SLOT	14" Oval	CFM	400	500	600	700	800	900	1000	0.88
		Ps - IWG	0.03	0.05	0.07	0.10	0.13	0.17	0.21	
		NC (3)	<20	20	25	30	33	37	39	
		THROW (4)	18-26-34	24-30-42	29-36-50	31-38-54	32-40-58	34-43-61	36-46-64	

PERFORMANCE DATA

MODEL (1)	INLET DIA. (1)	SIX SLOT SUPPLY DIFFUSER PERFORMANCE DATA								Ak (7)
		48" LONG UNIT (2) - INSULATED - ONE WAY THROW (5)								
K-75-6 3/4" SLOT	12" Oval	CFM	260	350	440	530	620	710	800	0.60
		Ps - IWG	0.02	0.04	0.07	0.10	0.13	0.17	0.22	
		NC (3)	<20	<20	22	27	31	35	38	
		THROW (4)	12-17-29	17-22-31	19-25-35	22-28-40	24-32-44	27-36-50	31-41-56	
K-100-6 1" SLOT	14" Oval	CFM	400	500	600	700	800	900	1000	0.72
		Ps - IWG	0.04	0.06	0.08	0.11	0.15	0.18	0.23	
		NC (3)	<20	<20	23	28	31	35	37	
		THROW (4)	18-23-33	21-27-37	24-32-42	27-35-46	30-39-51	34-42-57	38-45-63	
K-150-6 1-1/2" SLOT	16" Oval	CFM	500	650	800	950	1100	1250	1400	01.32
		Ps - IWG	0.03	0.06	0.09	0.12	0.17	0.21	0.27	
		NC (3)	<20	<20	22	27	31	34	37	
		THROW (4)	22-29-39	25-34-44	32-40-54	35-43-60	39-46-65	41-49-71	42-54-78	

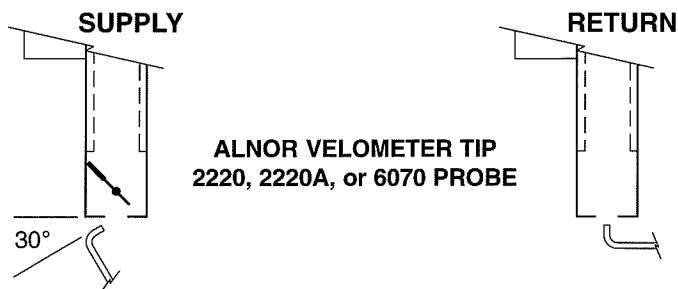
MODEL (1)	INLET DIA. (1)	EIGHT SLOT SUPPLY DIFFUSER PERFORMANCE DATA								Ak (7)
		48" LONG UNIT (2) - INSULATED - ONE WAY THROW (5)								
K-75-8 3/4" SLOT	14" Oval	CFM	350	475	600	725	850	975	1100	0.80
		Ps - IWG	0.02	0.04	0.06	0.09	0.13	0.17	0.21	
		NC (3)	<20	<20	21	27	31	35	38	
		THROW (4)	15-20-30	20-25-37	24-31-44	27-36-51	31-42-57	33-45-61	36-48-65	
K-100-8 1" SLOT	16" Oval	CFM	500	650	800	950	1100	1250	1400	0.96
		Ps - IWG	0.03	0.05	0.07	0.10	0.13	0.17	0.22	
		NC (3)	<20	<20	24	28	32	36	39	
		THROW (4)	21-26-38	25-32-42	31-39-48	34-43-58	37-47-65	42-51-71	45-53-76	
K-150-8 1-1/2" SLOT	18" Oval	CFM	600	800	1000	1200	1400	1600	1800	1.76
		Ps - IWG	0.03	0.05	0.07	0.11	0.14	0.19	0.24	
		NC (3)	<20	<20	24	29	33	37	40	
		THROW (4)	22-29-42	25-37-48	33-44-60	40-49-67	42-54-73	45-56-82	47-61-88	

MODEL (1)	INLET DIA. (1)	TEN SLOT SUPPLY DIFFUSER PERFORMANCE DATA								Ak (7)
		48" LONG UNIT (2) - INSULATED - ONE WAY THROW (5)								
K-75-10 3/4" SLOT	2-12" Oval	CFM	400	550	700	850	1000	1150	1300	1.00
		Ps - IWG	0.02	0.03	0.05	0.08	0.11	0.15	0.19	
		NC (3)	<20	<20	21	26	31	35	38	
		THROW (4)	17-22-34	20-26-39	23-30-44	27-35-50	32-41-57	34-45-62	38-50-68	
K-100-10 1" SLOT	2-14" Oval	CFM	600	800	1000	1200	1400	1600	1800	1.20
		Ps - IWG	0.02	0.04	0.07	0.10	0.14	0.18	0.22	
		NC (3)	<20	<20	23	28	32	36	39	
		THROW (4)	20-26-40	22-32-47	34-44-54	39-48-63	44-53-72	47-57-79	50-60-85	
K-150-10 1-1/2" SLOT	2-16" Oval	CFM	700	950	1200	1450	1700	1950	2200	2.20
		Ps - IWG	0.02	0.04	0.07	0.10	0.14	0.18	0.23	
		NC (3)	<20	<20	23	29	33	37	40	
		THROW (4)	21-29-43	28-41-54	35-47-63	42-53-72	47-60-82	50-63-92	52-66-96	

NOTES:

- (1) Model and inlet size shown is basis of performance test. Performance of Model FRK is similar.
Other inlet sizes available; see table on page 9 for suggested CFM range for available inlet sizes.
Model K and KLP return units available with collar or open side, and Model K returns up to 10 slots.
- (2) See table on page 9 for correction factors for other lengths.
- (3) NC levels based on insulated unit. Add 25% to NC level for uninsulated unit.
NC ratings based on power level (LW) re 10-12 power watts minus an 10 db room attenuation allowance in all bands.
- (4) Throw data based on isothermal air.
Throw values are in feet, to terminal velocities Vt=150, 100, and 50 fpm respectively.
- (5) Throw distances shown are for one way pattern. For two way opposite, throw distance in each direction will be for the # of slots in the same direction with the associated air quantity in that direction.
- (6) Data determined in accordance with ANSI / ASHRAE Standard 70-1991.
- (7) CFM = Ak x V where V = average slot velocity using ALNOR JET tip 2220, 2220A, 6070, or equal.

PERFORMANCE CORRECTION FACTORS FOR OTHER DIFFUSER LENGTHS					
DIFFUSER LENGTH	24"	36"	48"	60"	72"
CFM CHANGE	X .5	X .75	X 1.0	X 1.25	X 1.5
NC CHANGE	-3	-1	0	+1	+2
THROW CHANGE	X .70	X .87	X 1.0	X 1.12	X 1.22



SUGGESTED INLET SIZES			
MODEL	SIZE	CFM RANGE	AVAILABLE STANDARD ON UNITS
K, FRK	4" RD.	TO 75 CFM	TO 3 SLOTS
K, KLP, FRK	5" RD.	TO 120 CFM	TO 3 SLOTS
K, FRK	6" RD.	TO 175 CFM	TO 6 (K), 2 (FRK) SLOTS
KLP	6" SLOT	TO 175 CFM	TO 2 SLOTS
K, FRK	7" RD.	TO 250 CFM	TO 6 (K), 2 (FRK) SLOTS
K, FRK	8" RD.	TO 350 CFM	TO 6 (K), 2 (FRK) SLOTS
KLP	8" SLOT	TO 310 CFM	TO 2 SLOTS
K, FRK	10" OVAL	TO 600 CFM	TO 6 (K), 2 (FRK) SLOTS
KLP	10" SLOT	TO 500 CFM	TO 2 SLOTS
K	12" OVAL	TO 870 CFM	2 SLOTS TO 10 SLOTS
K	14" SLOT	TO 1160 CFM	2 SLOTS TO 10 SLOTS
K	16" SLOT	TO 1740 CFM	2 SLOTS TO 10 SLOTS
K	18" SLOT	TO 2320 CFM	2 SLOTS TO 10 SLOTS

MODEL K/KLP ONE SLOT RETURN PERFORMANCE DATA - CEILING PLENUM RETURN

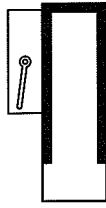
1 SLOT	48" LONG									
	NC	<20	<20	<20	<20	<20	22	26	29	32
K/KLP-50-1-R 1/2" Slot	CFM	40	60	80	100	120	140	160	180	200
	-Ps	0.01	0.02	0.04	0.06	0.08	0.11	0.15	0.19	0.23
K/KLP-75-1-R 3/4" Slot	CFM	60	90	120	150	180	210	240	270	300
	-Ps	0.01	0.02	0.04	0.06	0.08	0.11	0.15	0.19	0.23
K/KLP-100-1-R 1" Slot	CFM	80	120	160	200	240	280	320	360	400
	-Ps	0.01	0.02	0.04	0.06	0.08	0.11	0.15	0.19	0.23
K/KLP-150-1-R 1-1/2" Slot	CFM	120	180	240	300	360	420	480	540	600
	-Ps	0.01	0.02	0.04	0.06	0.08	0.11	0.15	0.19	0.23

MODEL K/KLP TWO SLOT RETURN PERFORMANCE DATA - CEILING PLENUM RETURN

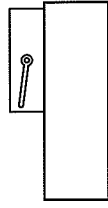
2 SLOT	48" LONG									
	NC	<20	<20	<20	<20	20	25	29	32	35
K/KLP-50-2-R 1/2" Slot	CFM	80	120	160	200	240	280	320	360	400
	-Ps	0.01	0.02	0.04	0.06	0.08	0.11	0.15	0.19	0.23
K/KLP-75-2-R 3/4" Slot	CFM	120	180	240	300	360	420	480	540	600
	-Ps	0.01	0.02	0.04	0.06	0.08	0.11	0.15	0.19	0.23
K/KLP-100-2-R 1" Slot	CFM	160	240	320	400	480	560	640	720	800
	-Ps	0.01	0.02	0.04	0.06	0.08	0.11	0.15	0.19	0.23
K/KLP-150-2-R 1-1/2" Slot	CFM	240	360	480	600	720	840	960	1080	1200
	-Ps	0.01	0.02	0.04	0.06	0.08	0.11	0.15	0.19	0.23

1. Data determined in accordance with ASHRAE Standard 70-1991.
2. CFM is cubic feet per minute.
3. -Ps is negative static pressure, inches of water.
4. NC level is based on 10 dB room attenuation for sound power levels re: 10-12 watts.

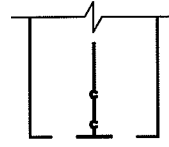
OPTIONS FOR "K" AND "KLP" AIR DIFFUSERS FOR USE WITH 15/16" TEE BAR GRID



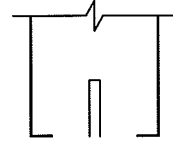
Option 1
Internal Insulation.



Option 2
Inlet Damper With
Manual Quadrant.

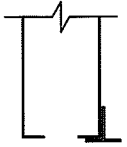


Option 3
Factory Installed
Extruded Center T.
On 2 Slot Unit.

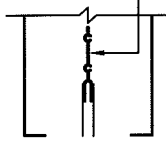


Option 4
Slot Provided In Ends To Fit Astride
Ceiling Grid T-Bar (By Others).
On 2 Slot Unit.

Center "T" Extension



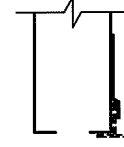
Option 5
One Side T
Furnished.



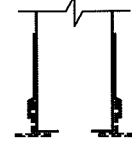
Option 6
2 Slot One-Way Blow Only -
T-Extension Is Added To Fit Over Existing
Grid T-Bar (By Others). Slot Provided In Ends.



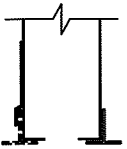
Option 7
Both Side T's
Furnished.



Option 8
One Pair Of TC Clips
Furnished.



Option 9
Both Pairs Of TC Clips
Furnished.



Option 10
One Pair Of TC Clips
And One Side T
Furnished.



Option 11
Flat Extruded Aluminum Frame
Screwed Into Plenum Lip Using
Pan Head Screws on 12"
Centers. Off-White Finish.

FRAMES FOR HARD CEILINGS

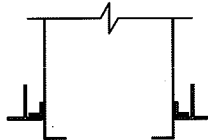


Option 12
Extruded Aluminum Frame.
No Surface Screws.
Fastened Thru Slot Opening.
Off-White Finish.

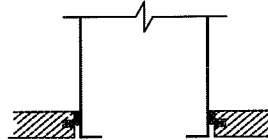


Option 13
Continuous Run Of Active And Inactive Sections For
Hard Ceilings. Center "T"s Look Continuous With
Options 11 Or 12 Separate Frame Around Perimeter.

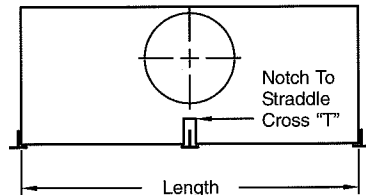
Options 14 and 15
Configurations For Use With Donn Fineline,
Chicago Metallic, Armstrong (And Others)
Ceilings With 9/16"
Wide Tees. "K" Diffusers Only. See
Separate Documentation For 9/16"
Tee Option Nomenclature.



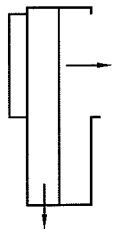
Option 16
Tegular Ceiling.
"K" Diffusers Only.



Option 17
Splined Ceiling.
"K" Diffusers Only.



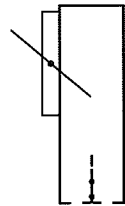
Option 18
Cross Notch For Cross "T".



Option 19
Combination Supply-Return
Unit. Return Collar
Available.



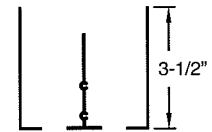
Option 20
Top Inlet.
"K" Diffusers Only.



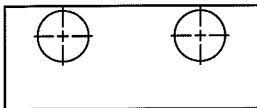
Option 21
Face Operated Damper Using
Wire Hook.



Option 22
90 Deg. Angles - Inactive
Units Only.



Option 23
No Plenum -
Top Open Or Closed.
"K" Diffusers Only.

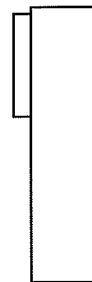


Option 24
Multiple Collars In Diffuser.

Option 25
Individually Packaged Units.

Option 26
Individually Tagged Units.

Option 27
Non-Standard Inlet Collars
And Dampers.



Option 28
Non-Standard Unit Height.
"K" Diffusers Only.

HIGHER

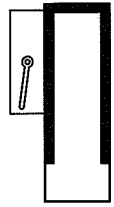


Option 29
Internal Or External
Foil Faced Insulation.

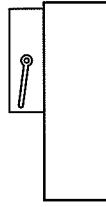
Option 30
All Stainless Steel Construction.

Option 31
All Aluminum Construction.

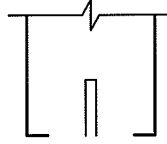
OPTIONS FOR "K" AIR DIFFUSERS FOR USE WITH 9/16" TEE BAR GRID



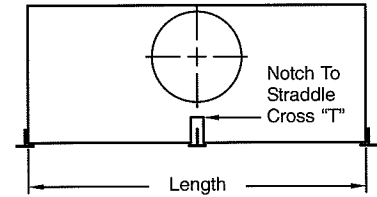
Option A
Internal Insulation.



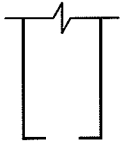
Option B
Inlet Damper With
Manual Quadrant.



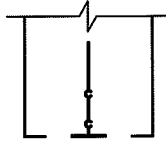
Option D
Slot Provided In Ends to Fit Astride
Ceiling Grid T-Bar (By Others).
On 2 Slot Unit.



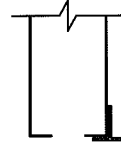
Option E
Cross Notch For Cross "T".



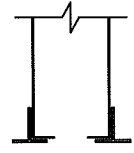
Option F
No Side Tee Or Tile Angle



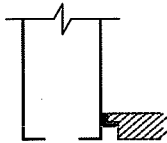
Option G
Factory Installed Extruded 15/16" Center T.
On 2 Or More Slot Units.



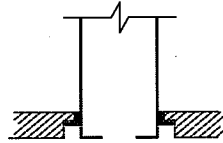
Option J
One 15/16"
Side T Furnished.



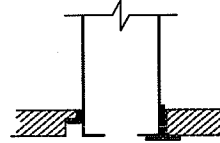
Option K
Both 15/16" Side T's Furnished.



Option M
One Tile Angle
For Tegular Ceiling.

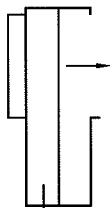


Option N
Two Tile Angles For Tegular Ceiling.



Option P
One Tile Angle And One Side Tee.

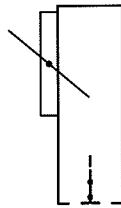
Option Q
Entire Unit Painted White.



Option 19
Combination Supply-Return
Unit. Return Collar
Available.



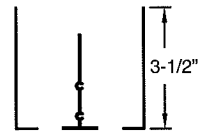
Option 20
Top Inlet.
"K" Diffusers Only.



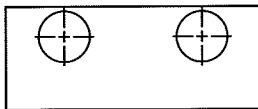
Option 21
Face Operated Damper Using
Wire Hook.



Option 22
90 Deg. Angles - Inactive
Units Only.



Option 23
No Plenum -
Top Open Or Closed.

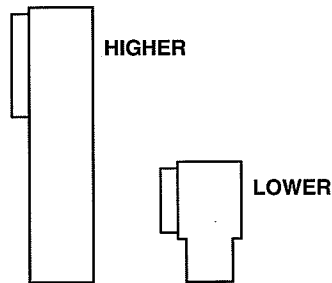


Option 24
Multiple Collars In Diffuser.

Option 25
Individually Packaged Units.

Option 26
Individually Tagged Units.

Option 27
Non-Standard Inlet Collars
And Dampers.



Option 28
Non-Standard Unit Height.

Option 29
Internal Or External
Foil Faced Insulation.

Option 30
All Stainless Steel Construction.

Option 31
All Aluminum Construction.