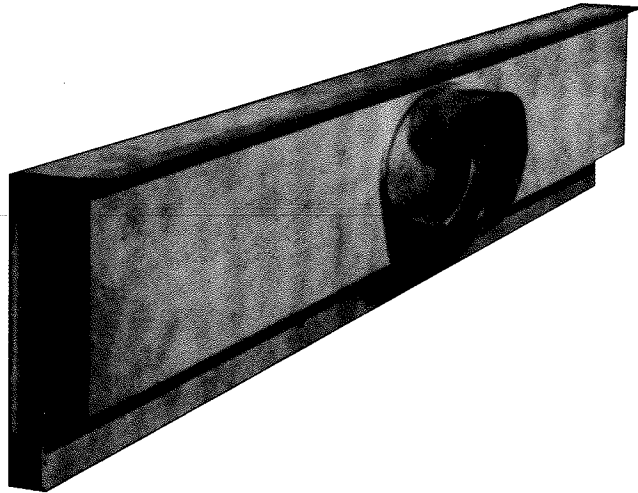


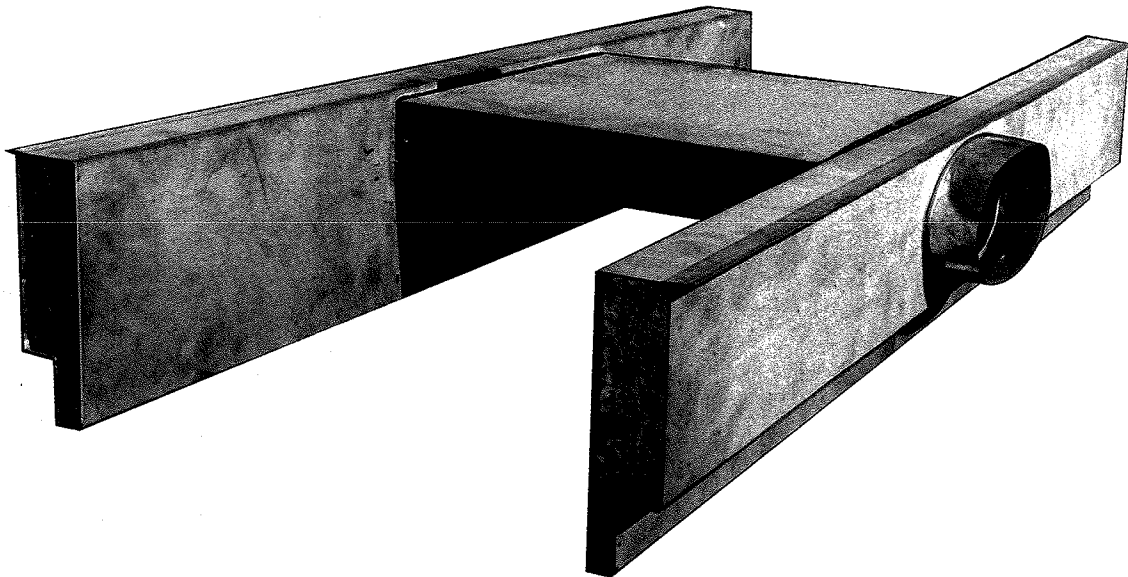


# LIGHT TROFFER DIFFUSERS

## A - SERIES

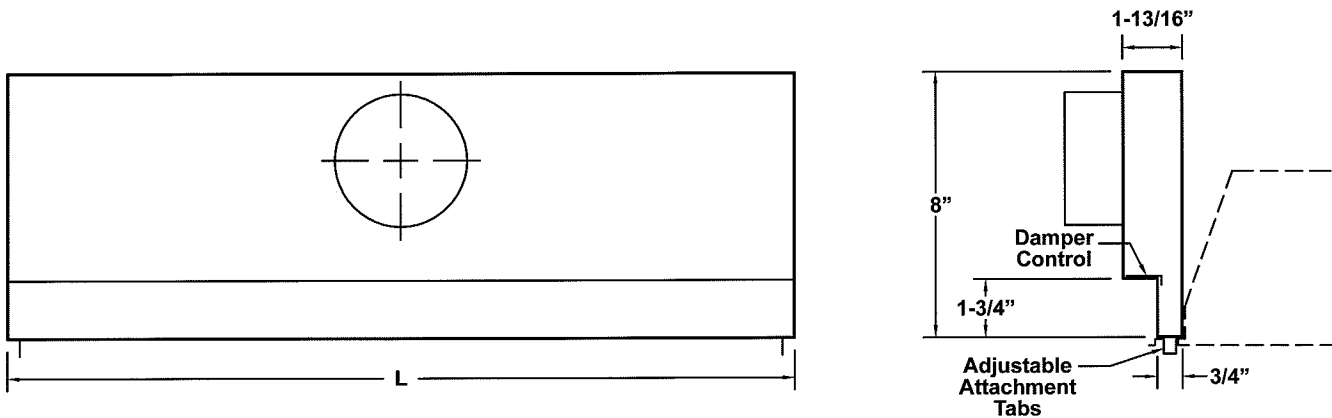


**SINGLE SIDE DIFFUSER - MODEL AS**



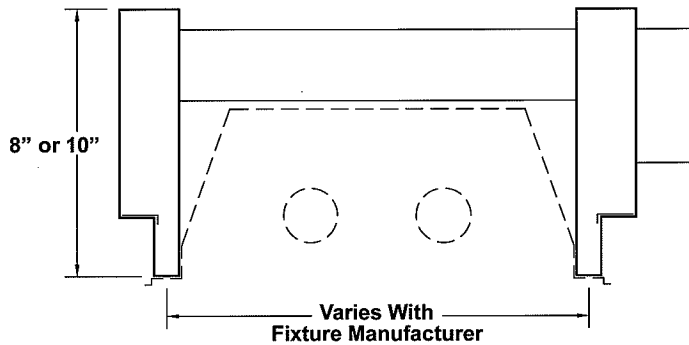
**DOUBLE SIDED DIFFUSER - SIDE INLET - MODEL ADS**

## SINGLE SIDE DIFFUSER - MODEL AS



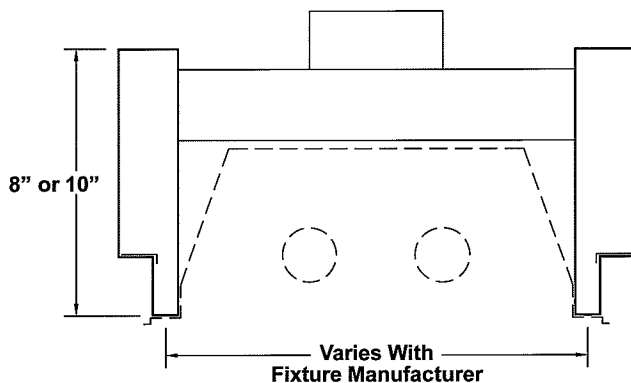
1. Adapts to all manufactured air supply or return light troffers of all lengths. Dimensions are automatically factory adjusted for specific manufacturers and models. 6-3/4" height available for low ceiling plenum height applications.
2. Single side inlets available are 4, 5 or 6 inch round.
3. Volume control damper operable thru face.
4. Optional internal insulation of coated fiberglass 1/4 inch thick or external insulation 1/2 inch thick having aluminum foil faced wrap.
5. Construction: 24 gauge zinc coated steel, mill finish.

## DOUBLE SIDED DIFFUSER - SIDE INLET - MODEL ADS



Adapts to all manufactured air supply troffers of all lengths, widths, and heights. Available with 4, 5 or 6 inch round inlets.

## DOUBLE SIDED DIFFUSER - TOP INLET - MODEL ADT



Adapts to all manufactured air supply troffers of all lengths, widths, and heights. Available with 4, 5 or 6 inch round inlets.

# PERFORMANCE TABLES

LENGTH	SINGLE OR DUAL SIDED	INLET SIZE		C.F.M.												
				30	40	50	60	70	80	90	100	120	140	160	180	200
24"	SINGLE SIDE	4,5,6	Throw* 150-50 FPM	2-5	3-6	4-7	5-9	6-11	7-12	10-14	11-16					
		4	S.P.	.08	.12	.17	.23	.31	.40	.51	.64					
			N.C.	<20	23	26	30	35	40	46	53					
		5	S.P.	.05	.08	.12	.17	.22	.29	.38	.47					
			N.C.	<20	<20	23	29	34	37	42	45					
		6	S.P.	.04	.07	.10	.14	.19	.26	.34	.45					
N.C.	<20		<20	22	28	32	35	39	44							
24"	DUAL SIDE	4,5,6	Throw* 150-50 FPM			3-5	4-6	5-7	6-9	6-10	7-11	8-12				
		4	S.P.			.07	.09	.11	.15	.20	.30	.42				
			N.C.			<20	21	23	26	31	39	45				
		5	S.P.			.04	.06	.08	.10	.13	.17	.23				
			N.C.			<20	<20	<20	20	22	27	37				
		6	S.P.			.03	.05	.07	.10	.12	.16	.22				
N.C.				<20	<20	<20	20	21	26	29						

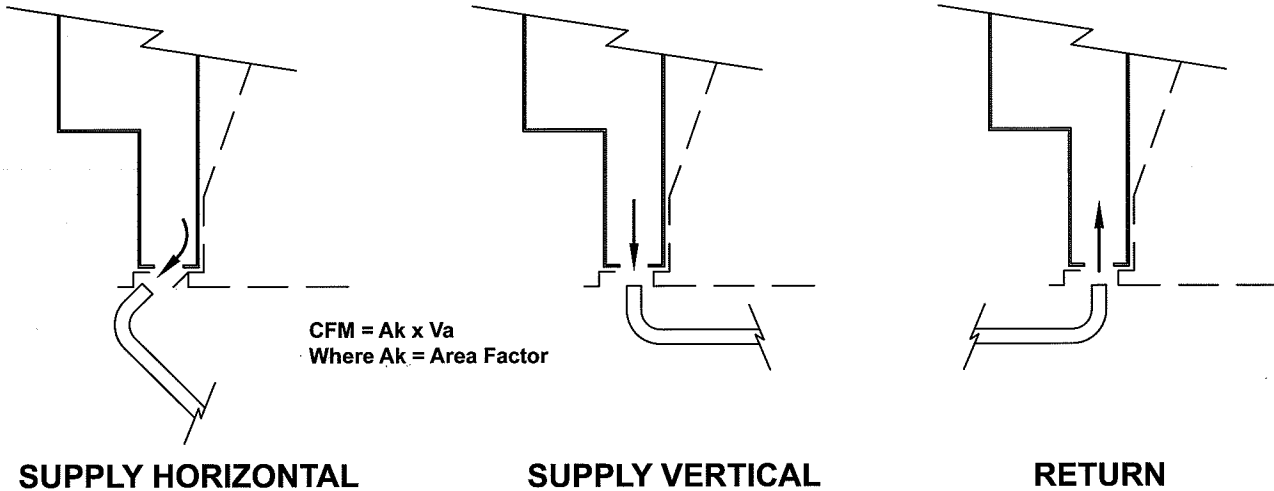
LENGTH	SINGLE OR DUAL SIDED	INLET SIZE		C.F.M.												
				40	50	60	70	80	90	100	110	120	130	140	150	160
36"	SINGLE SIDE	4,5,6	Throw* 150-50 FPM	2-9	3-10	4-13	5-14	6-16	6-17	7-18						
		4	S.P.	.09	.11	.14	.19	.24	.30	.37						
			N.C.	<20	25	27	30	34	40	47						
		5	S.P.	.05	.07	.10	.13	.17	.24	.31						
			N.C.	<20	<20	21	23	26	31	36						
		6	S.P.	.04	.06	.09	.12	.16	.21	.27						
N.C.	<20		<20	20	21	24	28	34								
36"	DUAL SIDE	4,5,6	Throw* 150-50 FPM				1-5	2-5	3-5	3-6	3-7	4-8	5-9	6-10	6-11	7-13
		4	S.P.				.08	.11	.14	.16	.20	.24	.29	.35	.41	.48
			N.C.				20	24	26	28	31	34	37	40	43	45
		5	S.P.				.07	.09	.11	.13	.16	.19	.22	.26	.30	.36
			N.C.				<20	<20	20	24	28	32	36	39	41	42
		6	S.P.				.06	.07	.08	.10	.13	.16	.19	.23	.27	.31
N.C.					<20	<20	<20	21	23	25	27	29	32	35		

LENGTH	SINGLE OR DUAL SIDED	INLET SIZE		C.F.M.											
				50	60	70	80	90	100	120	140	160	180	200	
48"	SINGLE SIDE	4,5,6	Throw* 150-50 FPM	3-5	4-6	5-7	5-8	6-9	6-10	7-11	9-13				
		4	S.P.	.08	.11	.14	.18	.22	.27						
			N.C.	20	25	25	30	35	40						
		5	S.P.	.04	.06	.08	.11	.15	.17	.25					
			N.C.	20	20	25	30	30	35	40					
		6	S.P.	.03	.05	.07	.09	.11	.15	.21	.30				
N.C.	<20		<20	<20	<20	22	25	30	34						
48"	DUAL SIDE	4,5,6	Throw* 150-50 FPM			1-6	1-7	2-7	2-9	3-10	3-11	4-12	5-13	6-14	
		4	S.P.			.07	.10	.12	.15	.23	.30				
			N.C.			20	21	23	27	32	40				
		5	S.P.			.05	.07	.09	.12	.16	.21	.28	.37		
			N.C.			<20	20	21	23	26	30	35	40		
		6	S.P.			.02	.04	.05	.06	.09	.12	.17	.22	.27	
N.C.				<20	<20	<20	<20	21	23	27	31	35			

\*Throw Is Horizontal - See Page 4 For Vertical Throw Correction.

# ENGINEERING DATA

- Capacity tables on page 3 are for horizontal air throw. To convert throw data from horizontal to vertical throw, multiply x .7. Multiply S.P. drop indicated in tables x .8.
- N.C. sound levels indicated are based on power level (LW) $\text{re}10^{-12}$  watts minus an 8 dB room allowance in all octave bands.
- Balancing: Utilize Alnor Probe 2220, 2220-A or 6070 as indicated to obtain average outlet velocity (Va.).



## AREA FACTORS $A_k$

MODEL AS			
LENGTH	HORIZONTAL	VERTICAL	RETURN
4 ft.	.098	.100	.12
3 ft.	.065	.083	.09
2 ft.	.040	.050	.06

MODEL ADS			
SIZE	HORIZONTAL	VERTICAL	RETURN
1 x 4	.18	.20	.24
2 x 4	.20	.20	.24
1 x 3	.11	.16	.18
3 x 3	.13	.15	.18
1 x 2	.06	.10	.12
2 x 2	.08	.10	.12

MODEL ADT			
SIZE	HORIZONTAL	VERTICAL	RETURN
1 x 4	.20	.20	.24
2 x 4	.20	.20	.24
1 x 3	.13	.16	.18
3 x 3	.13	.15	.18
1 x 2	.08	.10	.12
2 x 2	.08	.10	.12

## ORDERING INFORMATION NEEDED

- LIGHT MANUFACTURER, AND COMPLETE MODEL DESIGNATION.
- LIGHT FIXTURE LENGTH, AND LIGHT FIXTURE WIDTH.
- KEES MODEL NUMBER (AS, ADS or ADT).
- INLET SIZE.
- INSULATED OR NOT INSULATED:  
(ADD SUFFIX "I" TO MODEL NUMBER IF INTERNALLY INSULATED)  
(ADD SUFFIX "E" TO MODEL NUMBER IF EXTERNALLY INSULATED).

To maintain KEES' policy of continuous product improvement, we reserve the right to change prices, specifications, ratings or dimensions without notice or obligation.

KEES, INCORPORATED • 400 S. INDUSTRIAL DRIVE • P.O. BOX L  
ELKHART LAKE, WISCONSIN 53020 • PHONE (920) 876-3391 • FAX (920) 876-3065 • www.kees.com