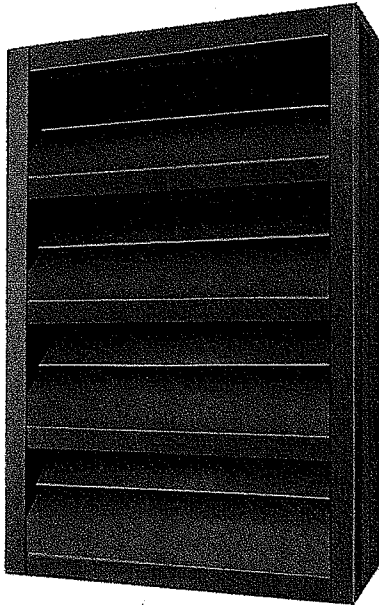


— THE 5 DAY SHIPMENT LOUVER —



EXTRUDED LOUVERS - MODEL L

4" Fixed 45 Degree Storm Proof Blade



CONSTRUCTION:

BLADES: 12 GA. (.081) EXTRUDED ALUMINUM
6063-T5

FRAME: 12 GA. (.081) EXTRUDED ALUMINUM
6063-T5

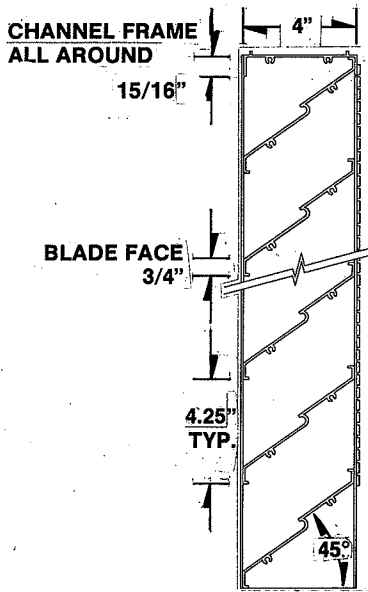
SCREEN: .051 x 3/4" ALUMINUM EXPANDED
DIAMOND PATTERN (OTHERS AVAILABLE)

FINISH: STANDARD MILL (OTHERS AVAILABLE)

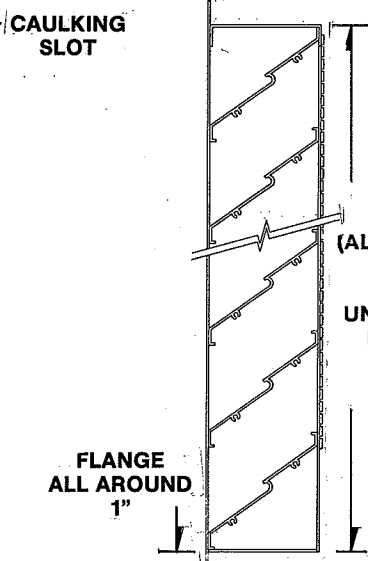
MINIMUM SIZE: 12" x 12"

MAXIMUM SIZE IN ONE PANEL: 72" x 96" (W x H)

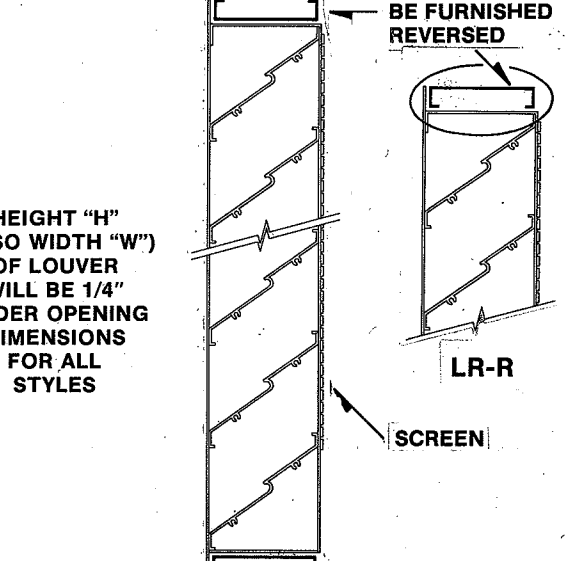
NO LIMIT ON NUMBER OF JOINED PANELS



**LC
CHANNEL
FRAME**



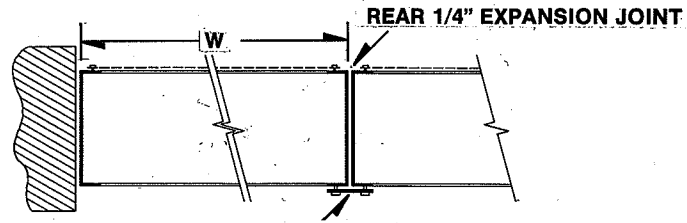
**LF
FLANGED
FRAME**



**LR
REMOVABLE
CORE**

HEIGHT "H"
(ALSO WIDTH "W")
OF LOUVER
WILL BE 1/4"
UNDER OPENING
DIMENSIONS
FOR ALL
STYLES

**TYPICAL HORIZONTAL SECTION
FOR MULTIPLE PANELS**

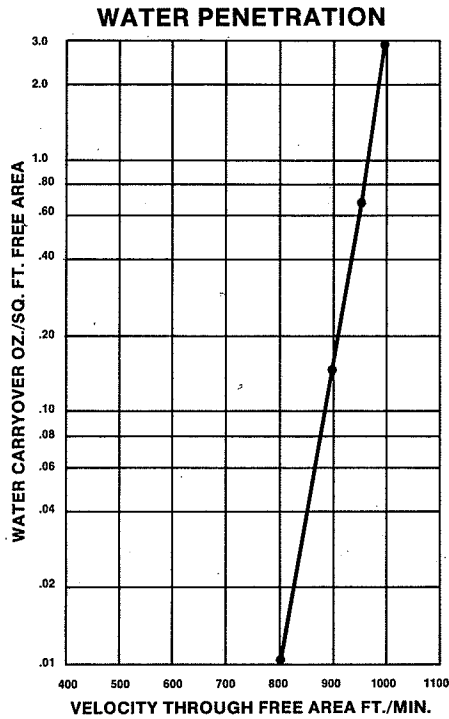


**FRONT MULLION COVER PLATE
WITH SCREWS FOR FIELD INSTALLATION**

MODEL L

LOUVER FREE AREA IN SQUARE FEET — MODEL L

		WIDTH (In Inches)										
		12	18	24	30	36	42	48	54	60	66	72
HEIGHT (In Inches)	12	0.24	0.39	0.54	0.69	0.84	0.99	1.13	1.28	1.43	1.58	1.73
	16	0.38	0.61	0.84	1.06	1.29	1.52	1.75	1.98	2.21	2.44	2.67
	20	0.51	0.82	1.13	1.44	1.75	2.06	2.37	2.68	2.99	3.30	3.61
	24	0.64	1.03	1.42	1.81	2.21	2.60	2.99	3.38	3.77	4.16	4.55
	28	0.78	1.25	1.72	2.19	2.66	3.13	3.60	4.08	4.55	5.02	5.49
	32	0.91	1.46	2.01	2.56	3.12	3.67	4.22	4.77	5.33	5.88	6.43
	36	1.05	1.69	2.33	2.96	3.60	4.24	4.88	5.52	6.15	6.79	7.43
	40	1.20	1.93	2.66	3.39	4.12	4.85	5.58	6.30	7.03	7.76	8.49
	44	1.35	2.17	2.99	3.81	4.63	5.45	6.27	7.09	7.91	8.73	9.55
	48	1.50	2.41	3.32	4.23	5.15	6.06	6.97	7.88	8.79	9.70	10.61
	52	1.65	2.65	3.66	4.66	5.66	6.66	7.67	8.67	9.67	10.67	11.68
	56	1.80	2.89	3.99	5.08	6.18	7.27	8.36	9.46	10.55	11.64	12.74
	60	1.95	3.14	4.32	5.50	6.69	7.87	9.06	10.24	11.43	12.61	13.80
	64	2.10	3.38	4.65	5.93	7.20	8.48	9.76	11.03	12.31	13.58	14.86
	68	2.25	3.61	4.98	6.34	7.70	9.07	10.43	11.80	13.16	14.53	15.89
	72	2.38	3.82	5.27	6.71	8.16	9.61	11.05	12.50	13.94	15.39	16.83
76	2.51	4.04	5.56	7.09	8.62	10.14	11.67	13.19	14.72	16.25	17.77	
80	2.64	4.25	5.86	7.46	9.07	10.68	12.29	13.89	15.50	17.11	18.71	
84	2.78	4.46	6.15	7.84	9.53	11.21	12.90	14.59	16.28	17.96	19.65	
88	2.91	4.68	6.45	8.21	9.98	11.75	13.52	15.29	17.06	18.82	20.59	
92	3.04	4.89	6.74	8.59	10.44	12.29	14.14	15.99	17.83	19.68	21.53	
96	3.18	5.11	7.04	8.97	10.89	12.82	14.75	16.68	18.61	20.54	22.47	



Air performance and water penetration per AMCA Standard 500. Tests performed by AMCA.

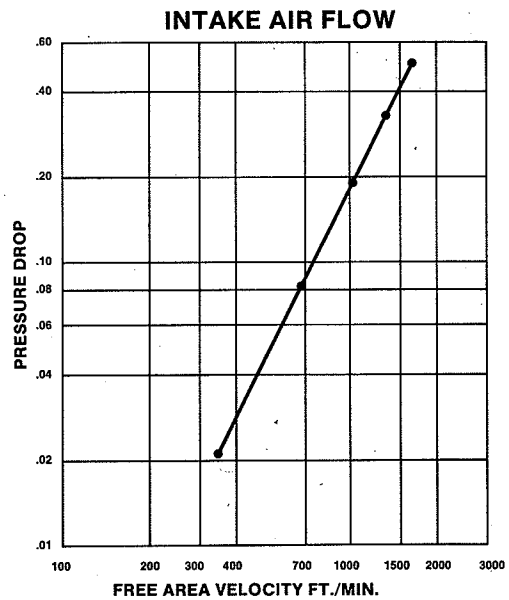
SUGGESTED MAXIMUM INTAKE FREE AREA VELOCITY 750 F.P.M.

EXAMPLE: Size Louver For
10,000 C.F.M. Air Intake:

$$\text{SOLUTION: } \frac{\text{C.F.M.}}{\text{VELOCITY}} = \text{FREE AREA}$$

$$\frac{10,000}{750} = 13.33 \text{ SQ. FT. FREE AREA}$$

Some Possible Sizes From Above Chart:
48 x 88 or 66 x 64



PERFORMANCE SHOWN DOES NOT INCLUDE EFFECTS OF BIRDSCREEN.

To maintain KEES' policy of continuous product improvement, we reserve the right to change prices, specifications, ratings or dimensions without notice or obligation.

KEES, INCORPORATED • 400 S. INDUSTRIAL DRIVE • P.O. BOX L
ELKHART LAKE, WISCONSIN 53020 • PHONE (920) 876-3391 • FAX (920) 876-3065 • www.kees.com