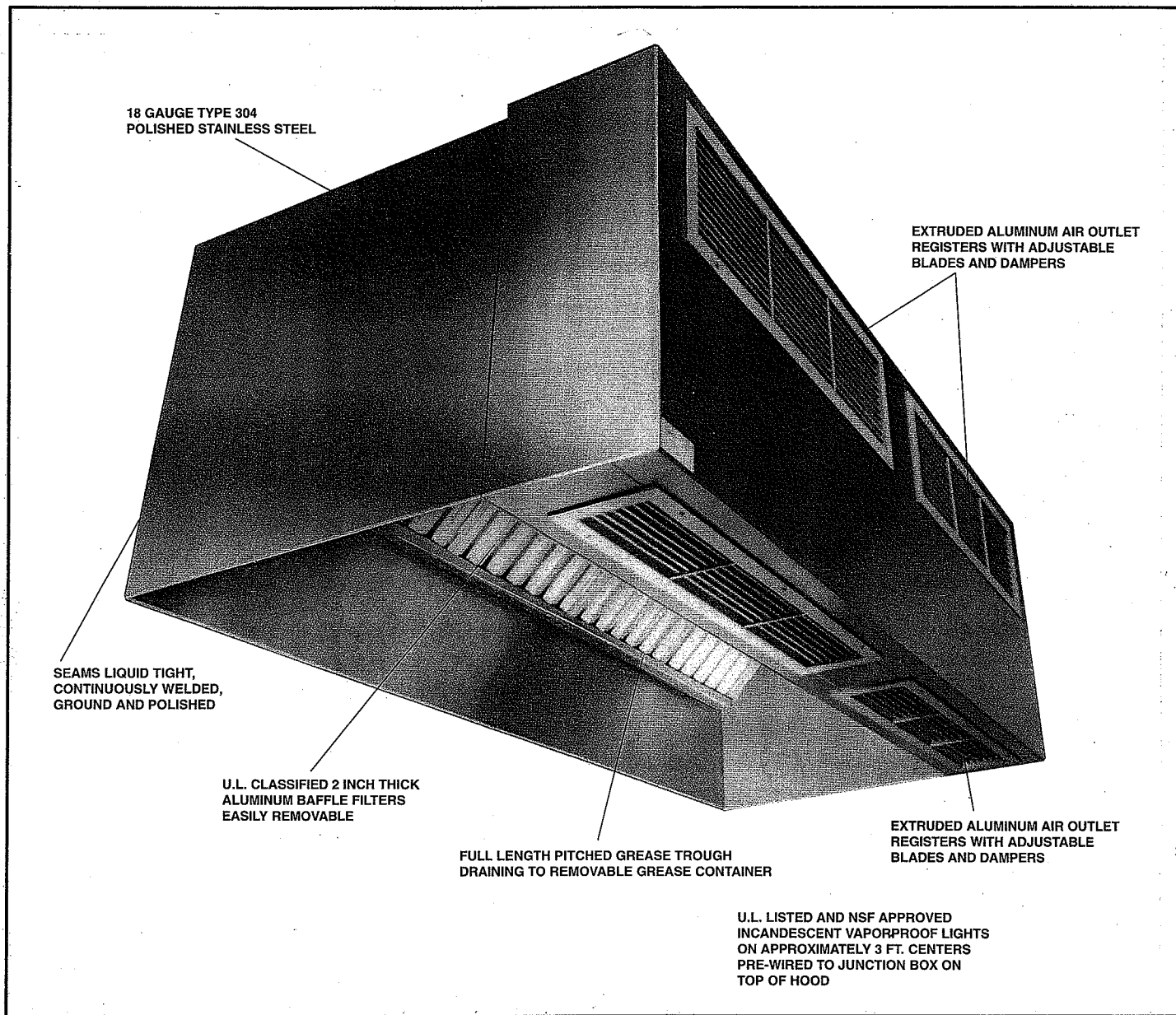




COMPENSATING KITCHEN HOODS
WALL STYLES: KS-200T, KS-300T, KS-400T
ISLAND STYLES: KSI-200T, KSI-300T, KSI-400T



Wall mounted KS-200T, KS-300T and KS-400T provide for the introduction of tempered or non-tempered air directly into the kitchen so as to provide make-up air independent of all other make-up air systems.

Models KSI-200T, KSI-300T and KSI-400T are for island applications.

CONSTRUCTION CONFORMS TO NATIONAL
FIRE PROTECTION ASSOCIATION (NFPA)
STANDARD 96, IS NATIONAL SANITATION
FOUNDATION (NSF) LISTED, AND IS
UNDERWRITERS LABORATORIES (U.L.)
LISTED

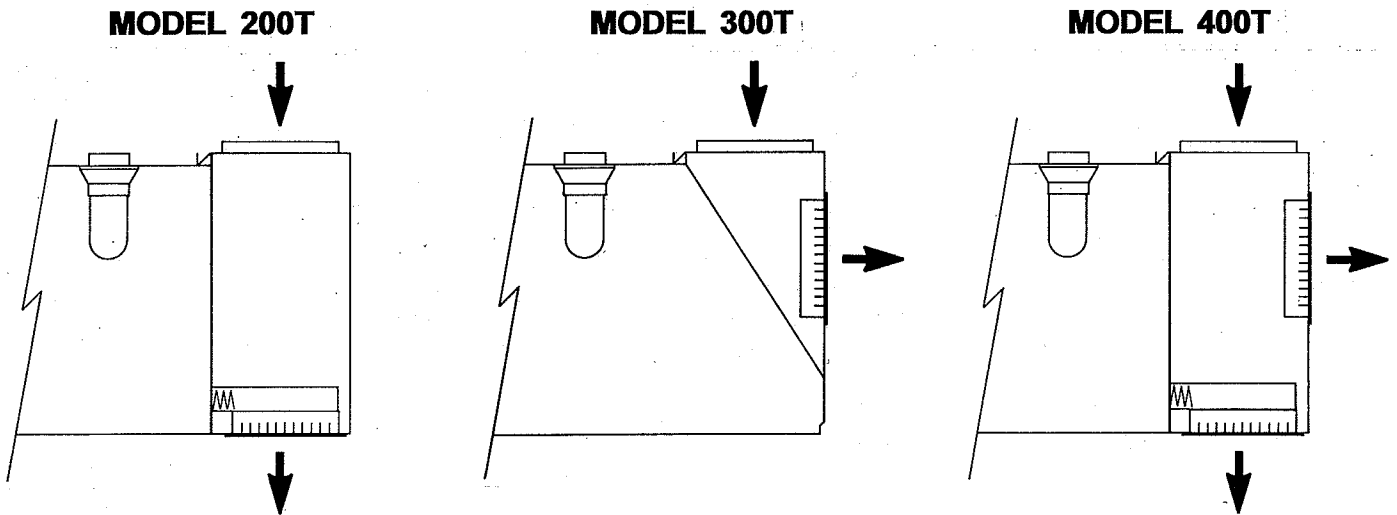


COMPENSATING HOODS

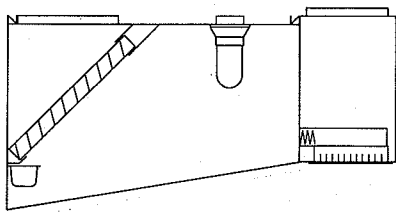
This type hood allows the introduction of heated or cooled air directly into the kitchen through double deflection extruded aluminum registers to provide for a large portion of needed hood make-up air.

- Models KS-200T, KS-300T and KS-400T are wall mounted.
- Models KSI-200T, KSI-300T and KSI-400T are island styles.
- All models are available with pitched fronts to allow for proper hood head room in low ceiling spaces.

All models are of polished 304 stainless steel, include aluminum baffle filters, pre-wired vaporproof incandescent lights, a full length pitched grease trough, a grease collection container and outlet registers.

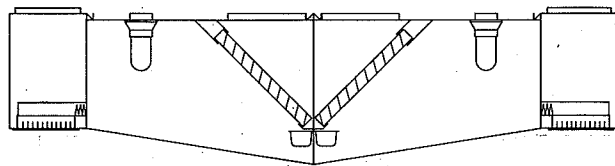


PITCHED HOODS IN ALL MODELS - WALL MOUNTED



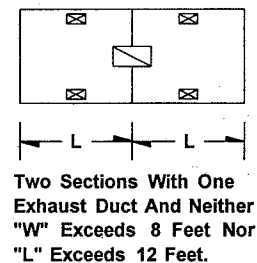
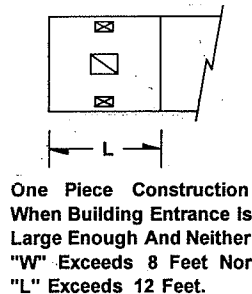
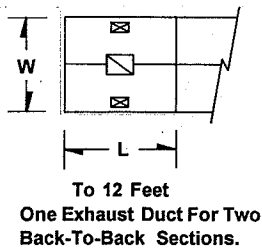
Models KS-200T-P, KS-300T-P, KS-400T-P
(Model KS-200T-P Shown)

DOUBLE PITCHED HOODS IN ALL MODELS - ISLAND STYLE



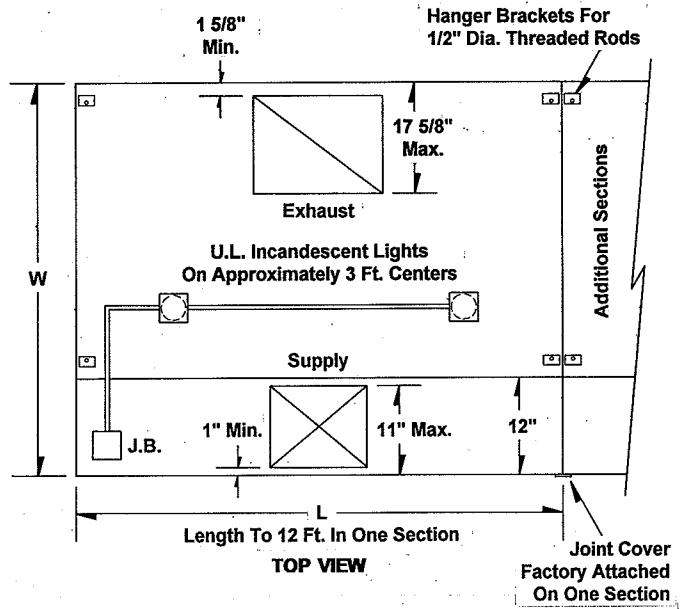
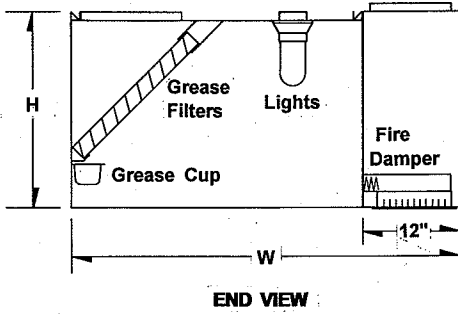
Models KSI-200T-P, KSI-300T-P, KSI-400T-P
(Model KSI-200T-P Shown)

Optional construction configurations for island style compensating hoods:

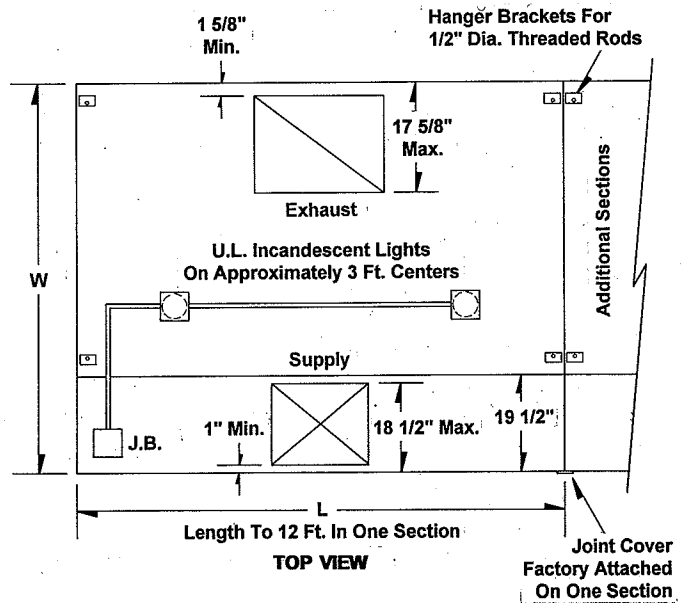
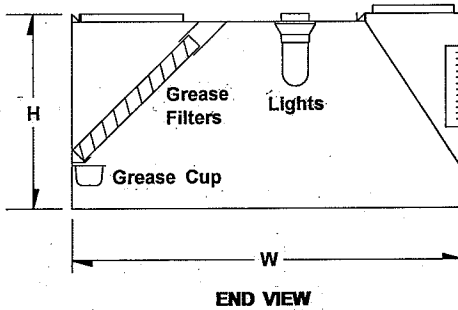


WALL STYLES

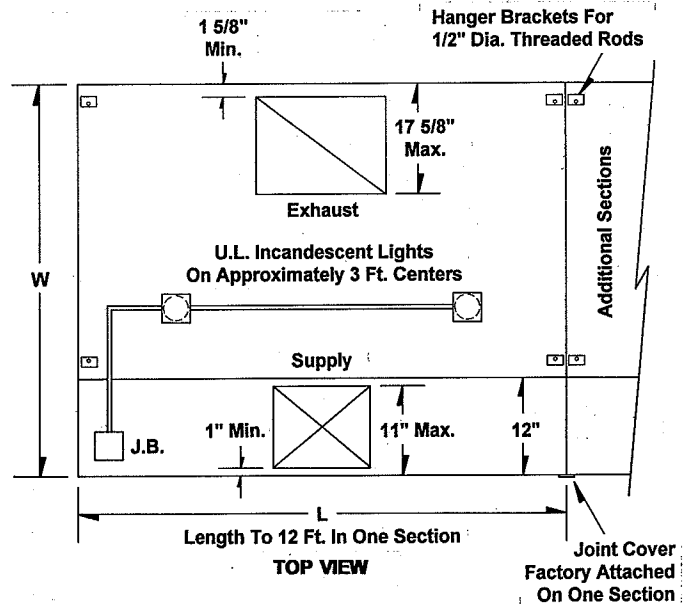
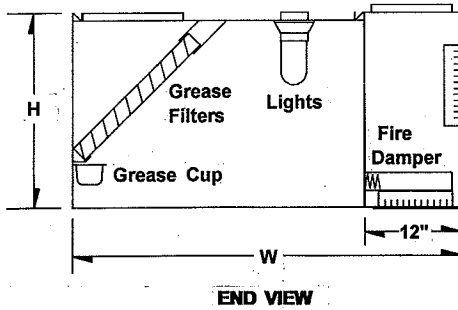
KS-200T



KS-300T

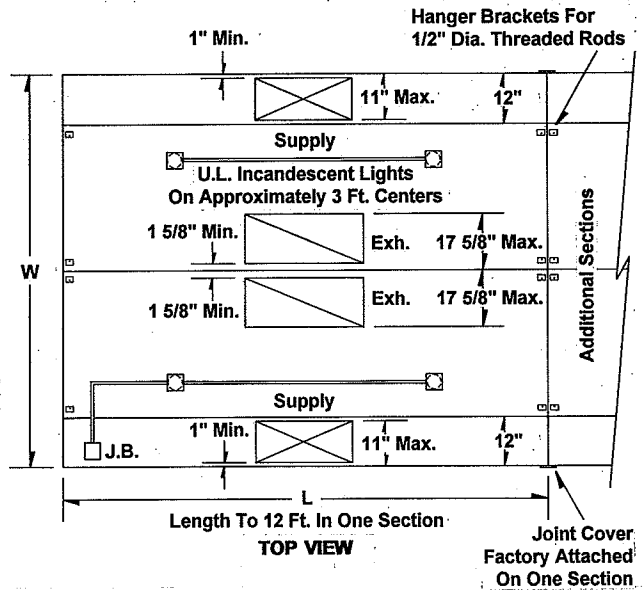
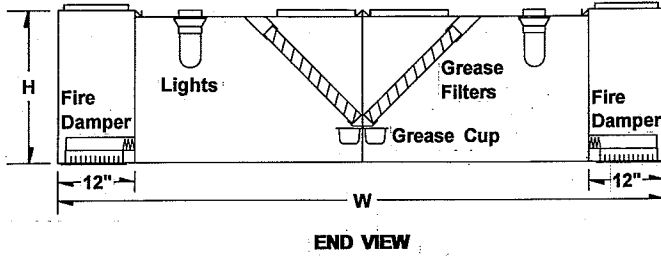


KS-400T

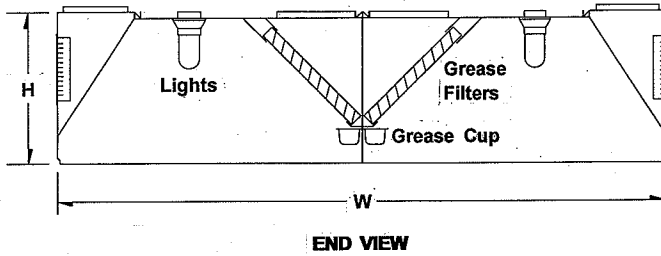


ISLAND STYLES

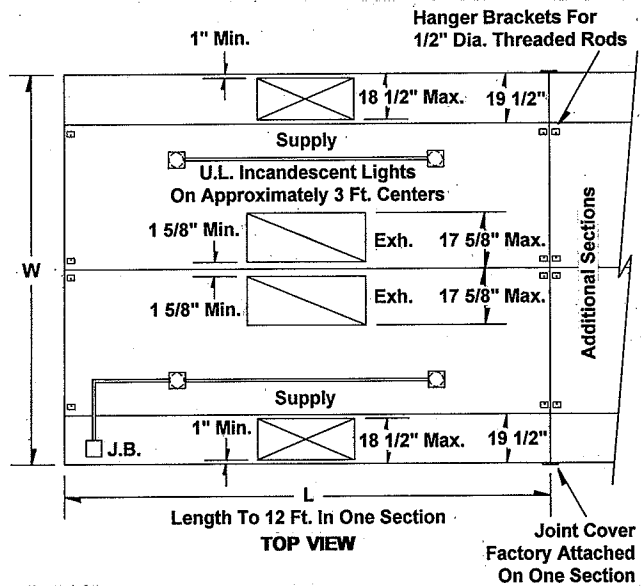
KSI-200T



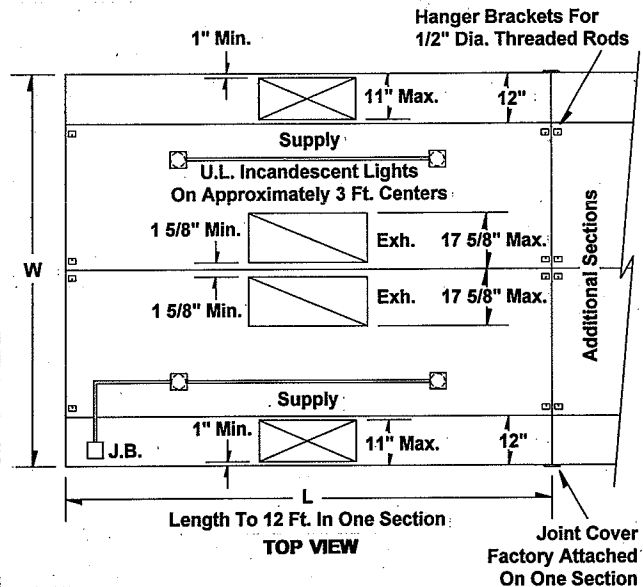
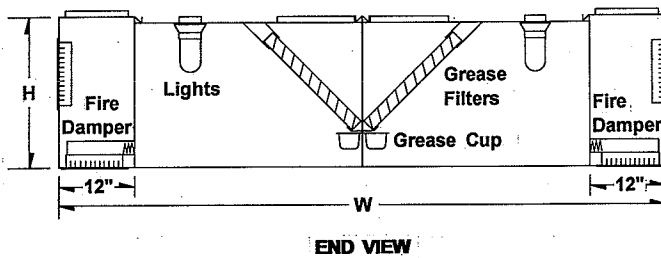
KSI-300T



PERFORATED DISCHARGE
ALSO AVAILABLE.



KSI-400T



TEMPERED AIR HOODS

CONSTRUCTION:

Hoods are single shell 18 gauge 304 stainless steel polished to a #3 finish and meet all U.L., NSF, NFPA 96, and NEC 90 requirements. Tempered air is supplied through clear anodized extruded aluminum double deflection registers with opposed blade dampers. Seams are continuously welded, liquid tight as required by U.L., and ground and polished to match the original finish of the material.

Standard accessories include full length aluminum baffle filters, full length pitched grease trough, removable grease cup, 100 watt incandescent vaporproof lights on approximately 3 ft. centers pre-wired to a junction box on top of the hood, hanger brackets for 1/2 inch threaded rod, and factory welded on supply and exhaust collars with U.L. Listed supply air fire dampers as required by U.L. and NFPA-96. The wall style is available in a single section in any increment from 4 feet to 12 feet in length, with longer lengths obtained by butting multiple sections together utilizing factory welded on joint covers. Widths are available in any increment from 48 through 66 inches. Heights can vary in any increment from 24 inches through 36 inches. Island hoods are multiple wall hoods installed back-to-back.

OPTIONS

HOOD CONSTRUCTION:

16 or 14 gauge 304 stainless steel with #3 polish. Available, but not able to bear U.L. or NSF labels, are material construction of 18, 16, or 14 gauge galvanized or galvanized steel or black iron, and the exterior of any hood of these materials can be painted with a USDA approved epoxy paint of a KEES standard color or color as selected. Standard KEES colors are white, almond or coppertone.

FILTERS:

2 inch U.L. Classified stainless steel, galvanized steel or Flame Gard filters available.

AIR OUTLET PLENUM:

Plenum lined with 1" 3# density foil faced insulation. Air outlet registers available as perforated aluminum or stainless steel.

LIGHTS:

Two tube 3 or 4 feet long fluorescent vaporproof flush lights pre-wired to junction box on top of hood.

U.L. LABELS:

U.L. Listed label (File MH12960) affixed to unit is standard if factory provides welded on supply and exhaust collar without exhaust damper. U.L. Listed label (MH12071) requires collars and U.L. Listed exhaust air fire damper.

TOP ENCLOSURES AND SIDE SKIRTS:

18 gauge enclosures from top of hood to lay-in or hard ceiling of stainless steel or other material to match hood construction and finish.

Side skirts on one or both ends of hood of same material as hood are available to increase hood effectiveness.

BACK SPLASHES:

Metal panel from bottom of hood to below equipment or to floor to keep wall clean on a wall hung hood of any material and finish. Insulation available on back of panel or inside double shell construction.

CONTROL PANELS:

Remote or mounted flush on face of hood in single or multiple gang box are combinations of light switch, fan switches with pilot light, and control of a possible remote room make-up air system.

SINGLE ISLAND HOOD:

Wall hoods may be provided with a polished back for use as a single island hood over one row of equipment that is not against a wall. Add suffix "S" to model number (i.e. KS-200T-S).

LOW CEILING HOOD:

Wall hoods can be pitched from front to rear to allow for 6'6" height above the floor at the front of the hood when sufficient mounting height is not available. Rear of hood can be between 24 and 36 inches high pitching to a minimum of 16 inches high at hood front. Add suffix "P" to model number (i.e. KS-300T-P).

SHIPPING LIMITATIONS:

A one piece section 12 feet long by 8 feet wide is maximum size for trucking. Preferable and easier to handle would be two 12' x 4' sections mounted back to back.

SUGGESTED DESIGN CRITERIA:

Refer to the KEES "Hood and Fan Selection Guidelines", Form AGKH, for exhaust and supply air flow recommendations and fan selection criteria.

Please note that KEES guidelines are for general information only, and are not to be used in lieu of governing local codes. Additional information which may also be relevant is contained in national standards such as the International Mechanical Code published by the International Code Council, and NFPA 96 Standard for Ventilation control and Fire Protection of Commercial Cooking Operations published by the National Fire Protection Association.

TYPICAL SPECIFICATIONS:

Provide KEES Model KS-200T (300T, 400T) wall hung canopy (KSI-200T, 300T, 400T island canopy) constructed of 18 gauge (16 gauge) type 304 stainless steel having a #3 polish of sizes as indicated.

Seams shall be continuously welded, liquid tight as required by U.L., and ground and polished to match the original finish of the material. Hood(s) shall be fabricated in accordance with the National Fire Protection Association (NFPA) Bulletin No. 96, shall be National Sanitation Foundation (NSF) listed and bear the NSF seal, and shall be Underwriters Laboratories (U.L.) Listed and U.L. labeled as required. U.L. Listed supply air fire dampers shall be supplied as required by U.L. and NFPA-96. U.L. Listed exhaust air fire dampers shall be provided if required by local code.

The full length filter housing with pitched grease trough shall be of 18 gauge, type 304, #3 polish stainless steel complete with removable stainless steel grease container. Filters shall be U.L. Classified, 2" thick baffle type constructed of aluminum (stainless steel).

The hood shall be capable of introducing up to 90% of exhausted air with outside tempered air. Clear anodized extruded aluminum supply registers shall be capable of delivery without excess draft by utilizing two sets of adjustable deflection blades together with a face operated opposed blade damper.

Lights shall be U.L. Listed incandescent vaperproof 100 watt type on approximately 3 foot centers pre-wired to a junction box on top of the hood. (Optional U.L. Listed fluorescent fixtures). Wiring shall conform to the National Electric Code (NEC).

To maintain KEES' policy of continuous product improvement, we reserve the right to change prices, specifications, ratings or dimensions without notice or obligation.

KEES INCORPORATED
400 S. Industrial Drive
Elkhart Lake, WI 53020
920-876-3391 ■ Fax 920-876-3065
www.kees.com