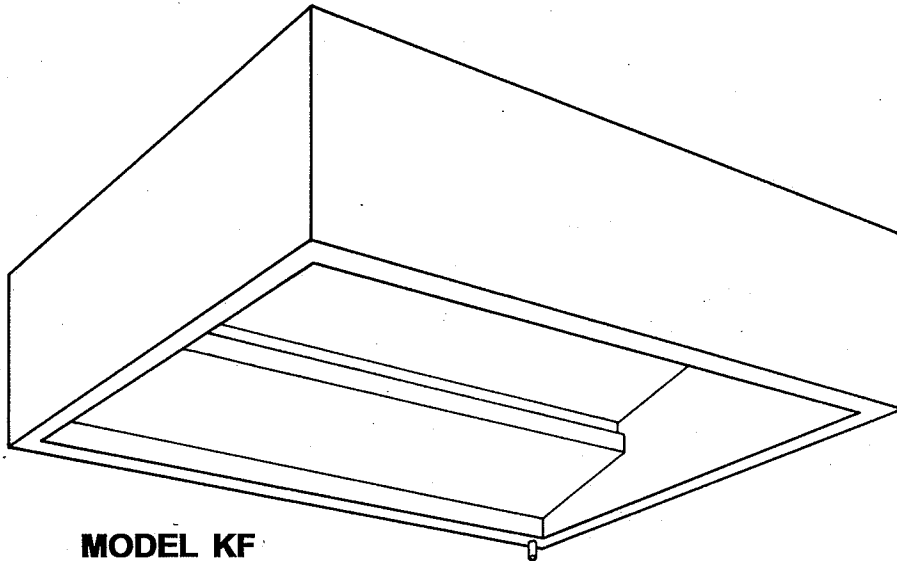


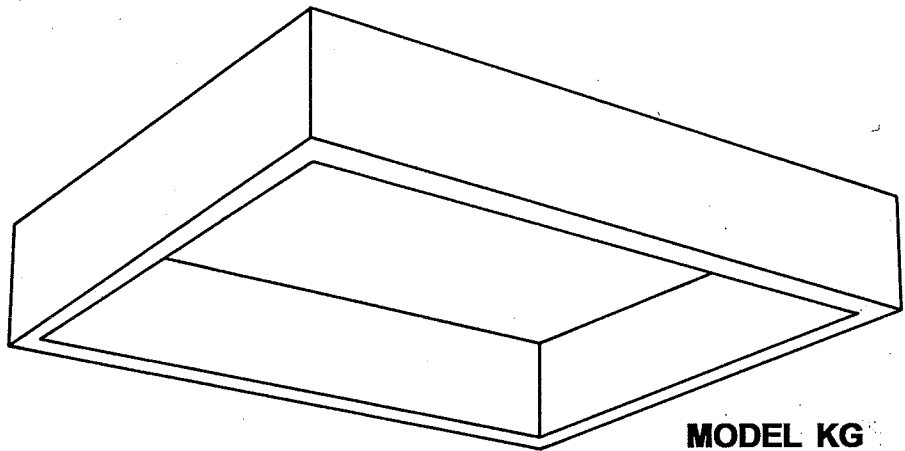


EXHAUST HOODS FOR CONDENSATE AND HEAT ONLY

MODELS KF & KG



MODEL KF



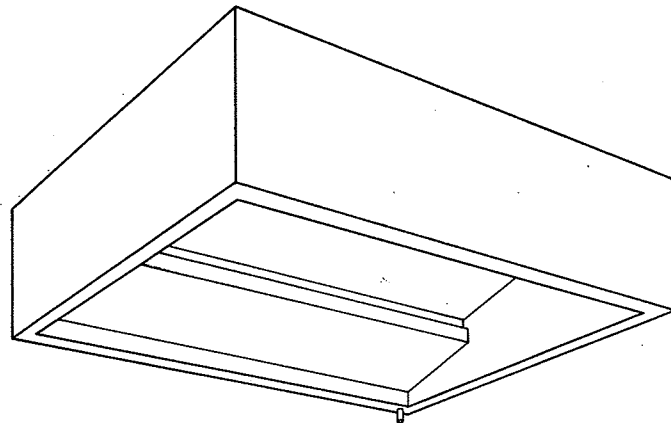
MODEL KG



MODEL KF

High Moisture Hood

KEES Model KF commercial overhead kitchen hoods are exhaust only, wall or island canopy units designed for removal of heavily moisture laden air in non-grease applications. Condensate baffles collect and direct moisture to the condensate gutter for drainage preventing drippage onto equipment below the hood.



Typical applications include dishwashers, steam producing equipment, food processing equipment and other commercial or industrial high moisture processes.

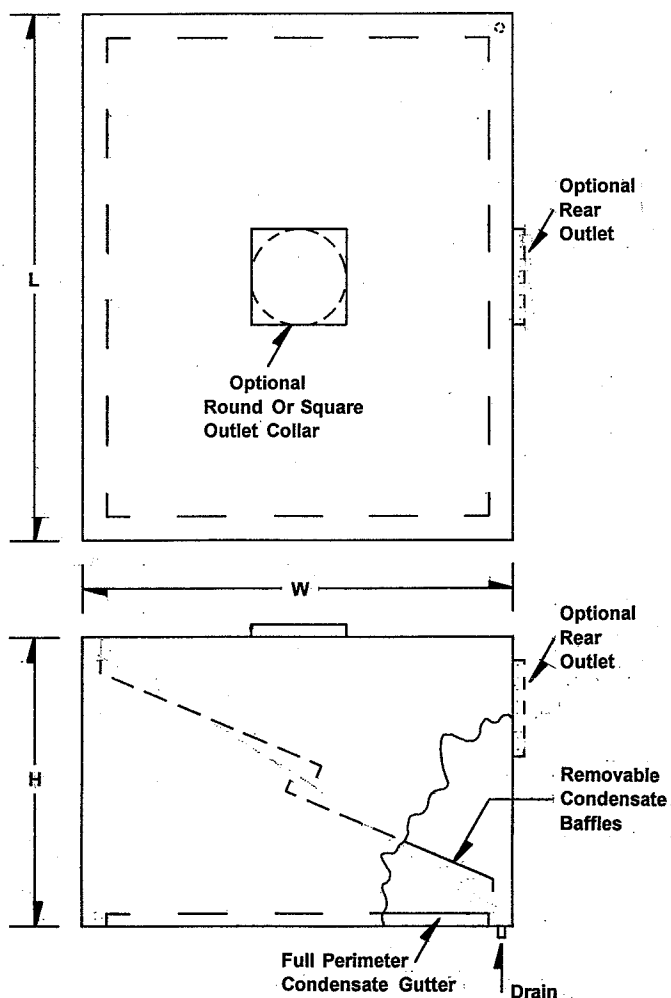
KEES Model KF hood is National Sanitation Foundation (NSF) listed.

CONSTRUCTION FEATURES

- Type 304 stainless steel, #3 polish
- 18 gauge standard material thickness
- Exterior seams continuously welded, liquid tight, ground and polished
- Removable condensate baffles
- Welded drain fitting
- All four sides finished
- Length 3'0" to 12'0" in any increment
- Width 2'0" to 6'0" in any increment
- Standard 2'0" height

OPTIONS

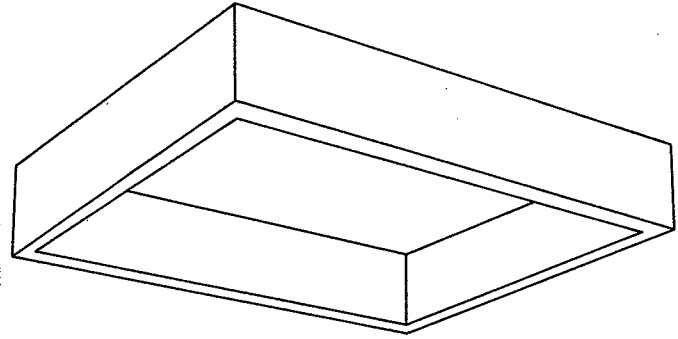
- Round, square, or rectangular exhaust collar welded to hood
- Material gauges of 16 ga. or 14 ga.
- Fan switch, mounted or loose for remote mounting
- Enclosure panels to ceiling
- Side skirts
- Heights from 1'6" to 4'0"



MODEL KG

Moisture/Heat Only Hood

KEES Model KG commercial overhead kitchen hoods are exhaust only, wall or island canopy units designed for removal of heat, odors or moisture laden air in non-grease applications.



Typical applications include dishwashers, steam producing equipment, food processing equipment, non-grease producing ovens, and other commercial or industrial heat, moisture or fume producing processes.

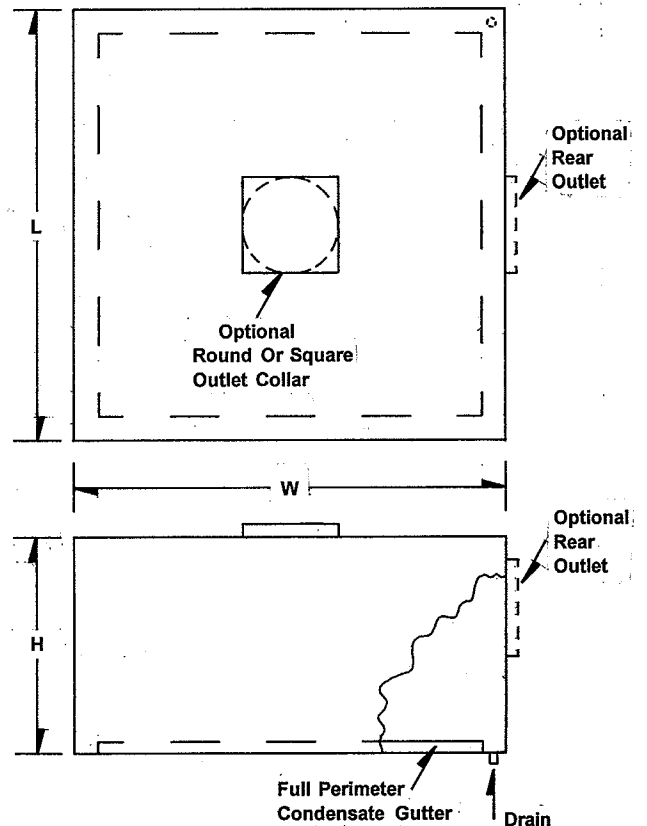
KEES Model KG hood is National Sanitation Foundation (NSF) listed.

CONSTRUCTION FEATURES

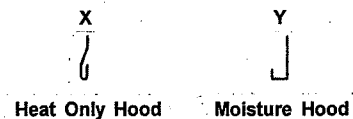
- Type 304 stainless steel, #3 polish
- 18 gauge standard material thickness
- Exterior seams continuously welded, liquid tight, ground and polished
- Full perimeter condensate gutter with welded drain fitting on moisture hoods. Heat only wall/island hoods have offset hemmed front/front and rear bottom edge(s) for stiffness
- All four sides finished
- Length 2'0" to 12'0" in any increment
- Width 1'0" to 8'0" in any increment
- Height 10" thru 4'0" in any increment

OPTIONS

- Round, square, or rectangular exhaust collar welded to hood
- All aluminum construction
- Galvanized or painted galvanized construction (non-NSF applications only)
- Material gauges of 16 ga. or 14 ga.
- Fan switch, mounted or loose for remote mounting
- Enclosure panels to ceiling
- Side skirts



TYPES OF BOTTOM EDGES



TYPICAL SPECIFICATIONS

MODEL KF

Provide KEES Model KF exhaust only high moisture hood(s) constructed of 18 gauge type 304 stainless steel with #3 polish of sizes as indicated.

All exterior seams shall be continuously welded, liquid tight, and ground and polished to match the original finish of the material. The hood(s) shall include a full perimeter condensate gutter, welded drain fitting, and removable pitched condensate baffles.

Hood(s) shall be National Sanitation Foundation (NSF) listed and bear the NSF seal. Wiring shall be in accordance with the National Electrical Code (NEC).

MODEL KG

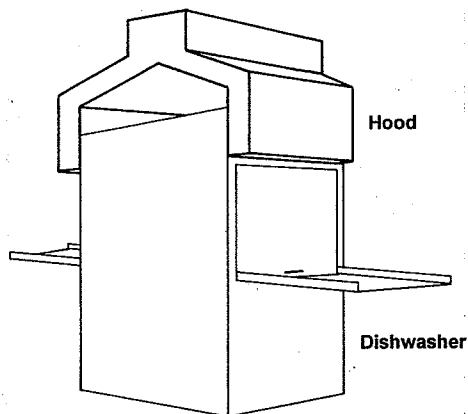
Provide KEES Model KG exhaust only moisture/heat only hood(s) constructed of 18 gauge type 304 stainless steel with #3 polish (.063" mill finish aluminum) of sizes as indicated.

All exterior seams shall be continuously welded, liquid tight, and ground and polished to match the original finish of the material. Moisture hood(s) shall include a full perimeter condensate gutter with welded drain fitting. Heat only wall (island) hood(s) shall have offset hemmed front (front and rear) edge(s) for stiffness.

Hood(s) shall be National Sanitation Foundation (NSF) listed and bear the NSF seal. Wiring shall be in accordance with the National Electrical Code (NEC).

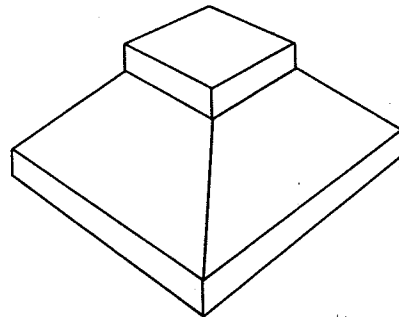
CUSTOM DESIGN EXHAUST HOODS AVAILABLE FROM KEES

MODEL KH
Dishwasher Hood



Constructed of 18 gauge type 304 stainless steel with #3 polish, with liquid tight seams. Configuration and dimensions available to meet job site conditions and equipment. Consult KEES with specific requirements.

CUSTOM DESIGNED HOODS



Built to your specifications, KEES Custom-Designed Hoods are available for kitchens and industrial applications. Choose from stainless steel, galvanized or galvanized steel, aluminum, copper, or black iron.

KEES INCORPORATED

400 S. Industrial Drive
Elkhart Lake, WI 53020
920-876-3391 ■ Fax 920-876-3065
www.kees.com