



MODEL 250 COMMERCIAL BASEBOARD DIFFUSER

IDEAL FOR SCHOOLS, CHURCHES, AND COMMERCIAL APPLICATIONS

Available in six standard lengths for supply or return air at building perimeter. Easily adjustable full length damper provides for an even discharge along the entire length of the cabinet as well as air quantity control.

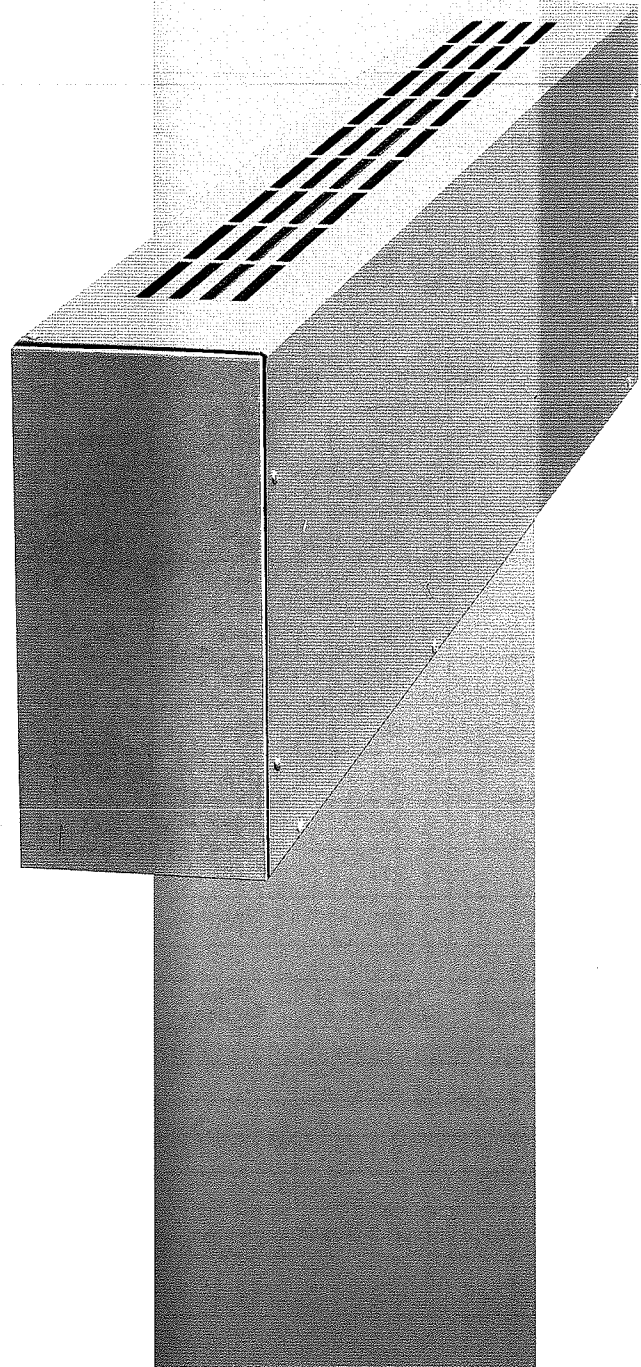
Baseboard is of two piece construction: 18 GA. galvanealed top, front, and end section, and 20 GA. galvanized back and bottom - both sections being joined by Phillips head fasteners.

Air outlets of 3 inch by 1/4 inch slots provide draftless distribution.

Standard finish is tan.

Inlet boots to be field cut.

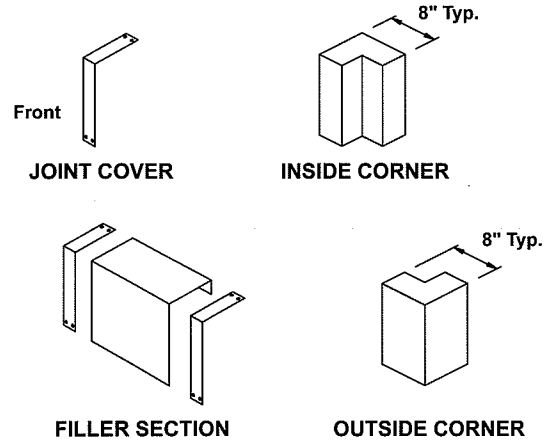
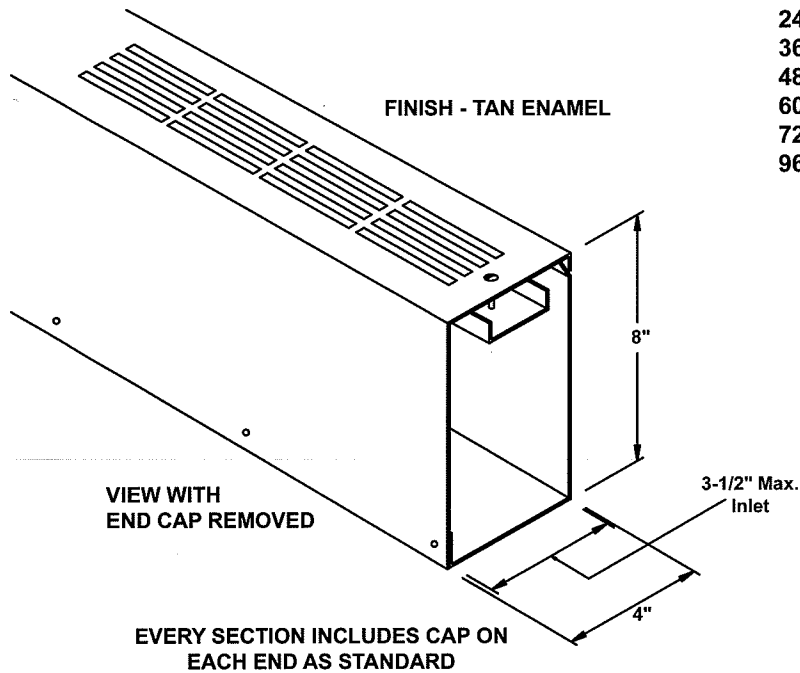
Custom sizes also available.



MODEL 250 AIR BASEBOARD

STANDARD SIZES IN ONE SECTION

- 24" Long x 8" High x 4" Wide
- 36" Long x 8" High x 4" Wide
- 48" Long x 8" High x 4" Wide
- 60" Long x 8" High x 4" Wide
- 72" Long x 8" High x 4" Wide
- 96" Long x 8" High x 4" Wide



EVERY SECTION INCLUDES CAP ON EACH END AS STANDARD

BASEBOARD CAPACITY


C.F.M. Per Foot of Length of Baseboard	Throw in Feet	Pressure Drop in (In. Water)	NC Level
25	9	.012	<20
34	12	.020	<20
42	14	.032	<20
50	16	.043	21
58	18	.064	27
66	20	.086	30
73	22	.114	34
82	26	.143	37
86	27	.176	39
98	29	.193	41

AIR BOOT CAPACITY

Length of Boot Opening	C.F.M. Boot Width 2-1/4"	C.F.M. Boot Width 3"	C.F.M. Boot Width 3-1/2"
12	95	125	145
14	115	155	180
16	135	185	215
18	155	215	250
20	175	245	285
22	195	275	320
24	215	305	355
26	235	335	390
28	255	365	425
30	275	395	460

Quantity	Length	Number of Joint Covers	Filler Sections	Inside Corner	Outside Corner	Special	Tag

To maintain KEES' policy of continuous product improvement, we reserve the right to change prices, specifications, ratings or dimensions without notice or obligation.

Project				Location			
Engineer				 KEES INCORPORATED 400 S. Industrial Dr. • P.O. Box L Elkhart Lake, WI 53020 Phone: (920) 876-3391 Fax: (920) 876-3065 Website: www.kees.com			
Architect							
		Dwg. No.	Model 250				
Contractor			Date				