



# CUSTOM & INDUSTRIAL EXHAUST HOODS

## TYPICAL APPLICATIONS:

- Heat
- Moisture
- Dust
- Fumes or Vapors
- Grease
- Chips or Particles
- Paint
- Engine Exhaust
- Industrial
- Manufacturing
- Chemical Processing
- Schools
- Material Handling
- Vehicle Maintenance



## MATERIALS:

- Steel
- 304 Stainless Steel
- 316 Stainless Steel
- Galvanealed Steel
- Galvanized Steel
- Aluminized Steel
- Aluminum

## FINISHES:

- Mill Finish
- Ground and Polished
- Primer
- Enamel Paint
- Epoxy Paint
- Phenolic Coating

## CONSTRUCTION:

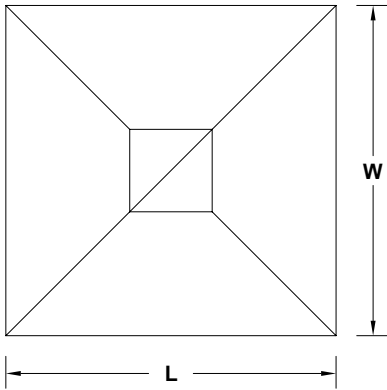
- Welded Construction

## OPTIONS AND ACCESSORIES:

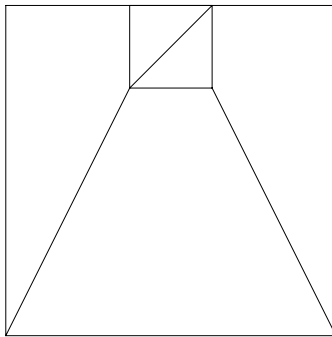
- Internal Baffles
- Double Shell
- Dampened Slots
- Side Skirts
- Gutter and Drain
- Filter Racks
- Mounted Switches
- Lights
- Make-up Air Plenums

# OVERHEAD INDUSTRIAL HOODS

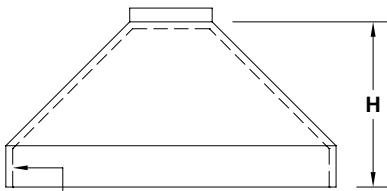
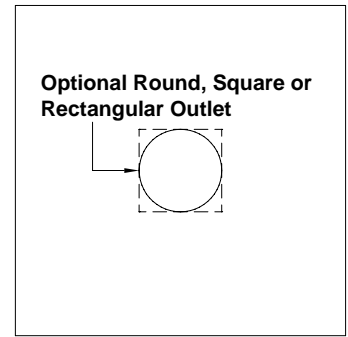
STYLE A



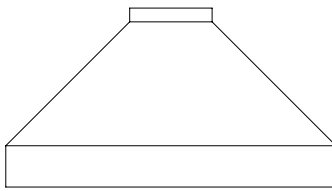
STYLE B



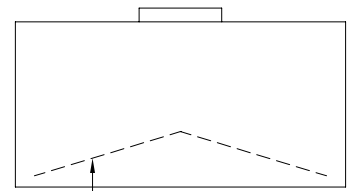
STYLE C



Optional Double Wall Liner  
(Available On Any Hood Style)

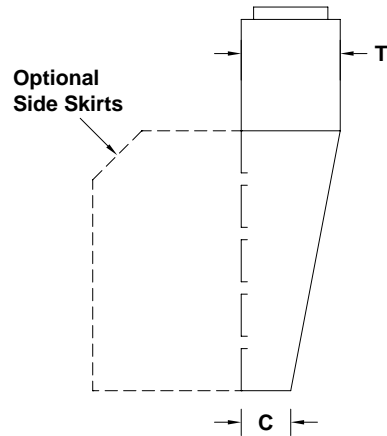
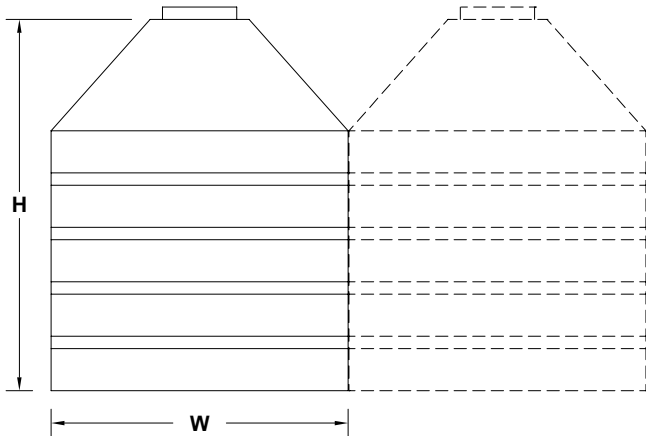


Bottom Edge Style "Y"  
Available With Optional Drain For  
Moisture Application

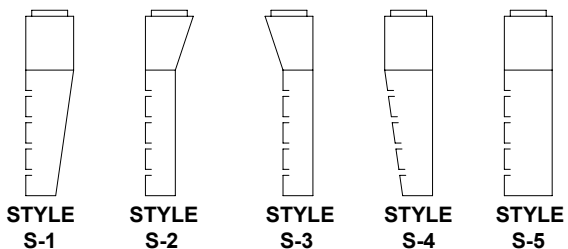


Optional Internal Baffle  
(Available On Any Hood Style)

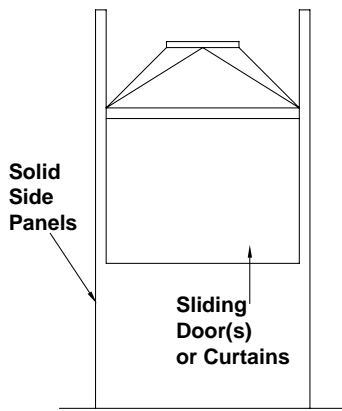
# SLOTTED BACK SHELF INDUSTRIAL HOODS



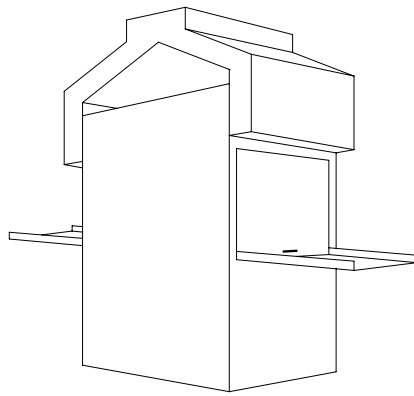
Available in single or multiple sections, each with one, two, three or more slot openings sized as required for application.



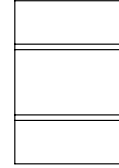
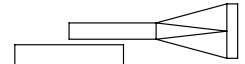
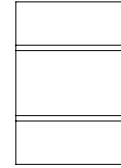
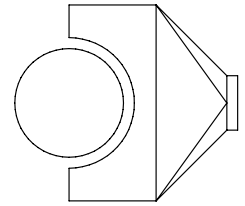
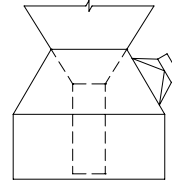
Typical hood styles - available in unlimited styles and types, materials and gauges to meet your specific needs.



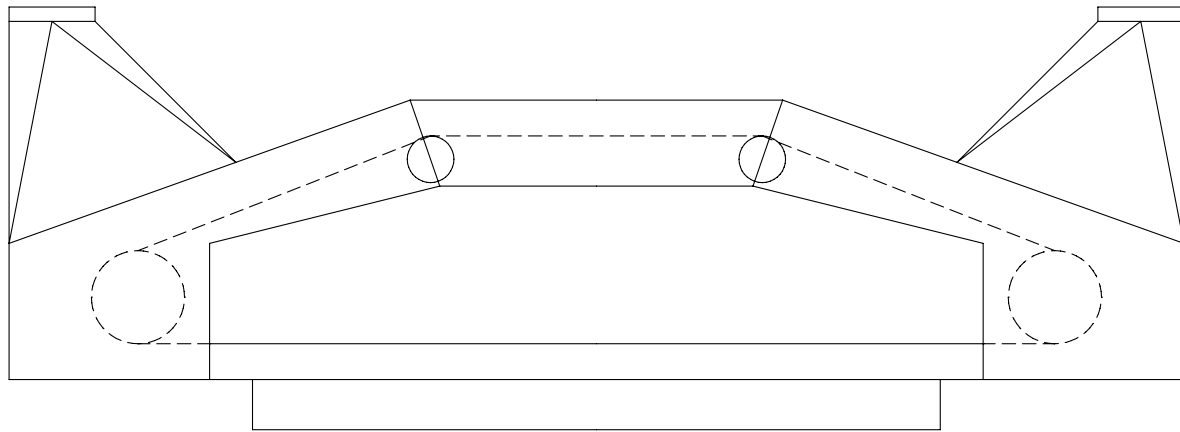
**MELTING FURNACE HOOD**



**DISHWASHER HOOD**

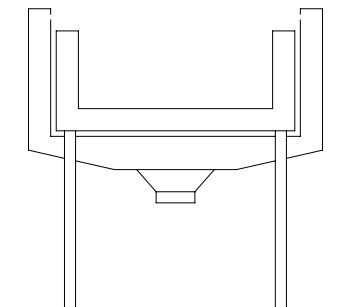


**CONTAINER OR BARREL FILLING TYPES**

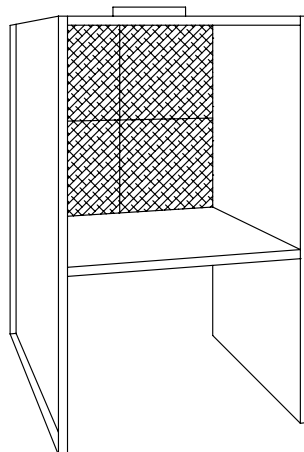


**CUSTOM EQUIPMENT ENCLOSURE**

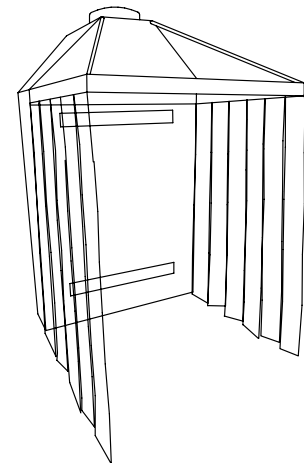
(Grinding, sanding, polishing, abrasive blasting, machining, etc.)



**SINK SLOT HOOD**



**SPRAY BOOTH**



**BACKSHELF WITH FRONT EXTENSION AND FLEXIBLE STRIP SIDE CURTAINS**

# ADDITIONAL HOOD EXAMPLES



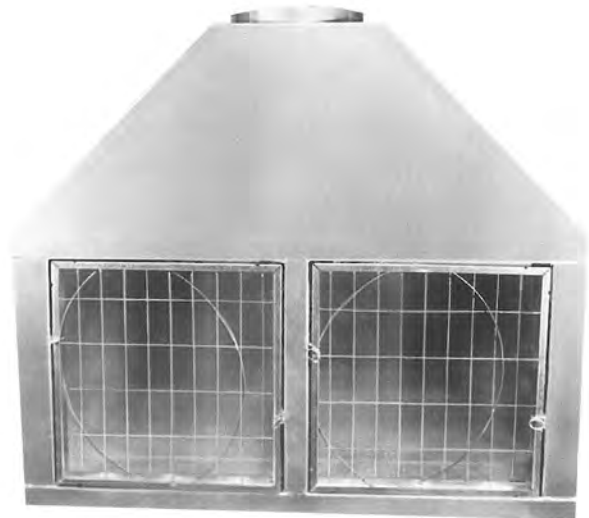
**DOWNDRAFT  
TABLE**



**OVERHEAD  
CONICAL  
HOOD**



**OVERHEAD CANOPY  
WITH COUNTERWEIGHTED  
HEIGHT ADJUSTMENT AND  
FLEXIBLE EXHAUST DUCT**



**BACKSHELF HOOD WITH  
PAD FILTER FRAMES**

## SOURCES OF ADDITIONAL INFORMATION REGARDING INDUSTRIAL HOOD APPLICATIONS.

ASHRAE Hand Books  
American Society of Heating, Refrigeration  
and Air Conditioning Engineers, Inc.  
1791 Tullie Circle N.E.  
Atlanta, GA 30329  
404-636-8400

Industrial Ventilation Manual  
American Conference of Governmental  
Industrial Hygienists  
6500 Glenway, Bldg. D7  
Cincinnati, OH 45211  
513-742-2020

To maintain KEES' policy of continuous product improvement, we reserve the right to change prices, specifications, ratings or dimensions without notice or obligation.



KEES, INCORPORATED • 400 S. INDUSTRIAL DRIVE  
ELKHART LAKE, WISCONSIN 53020 • PHONE (920) 876-3391 • FAX (920) 876-3065 • [www.kees.com](http://www.kees.com)